

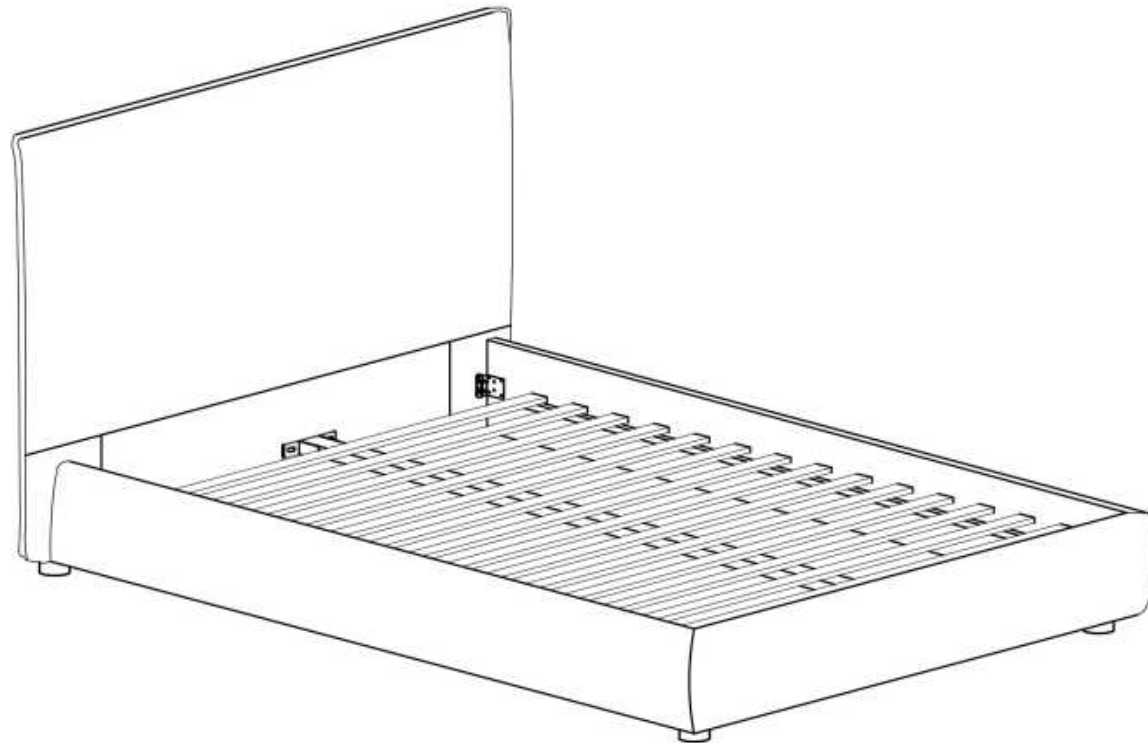
MOE'S

home collection

ASSEMBLY INSTRUCTIONS.











LUZON QUEEN BED TALL HEADBOARD WHEAT

RN-1148-34



THANK YOU FOR YOUR PURCHASE!

PARTS AND HARDWARE.

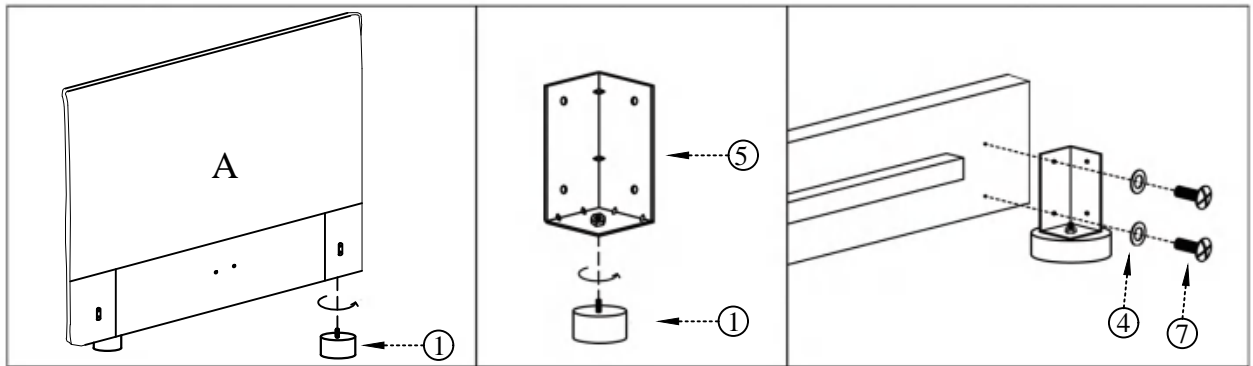
	
Feet ① X 4	Gold Bolt (m8*18) ② X 4
	
Allen Key ③ X 1	Washers (m8) ④ X 8
	
Brackets ⑤ X 2	Bolts (m8*25) ⑦ X 8
	
Headboard A X 1	Footboard B X 1
	
Right Side Rail C X 1	Left Side Rail D X 1

NOTES.

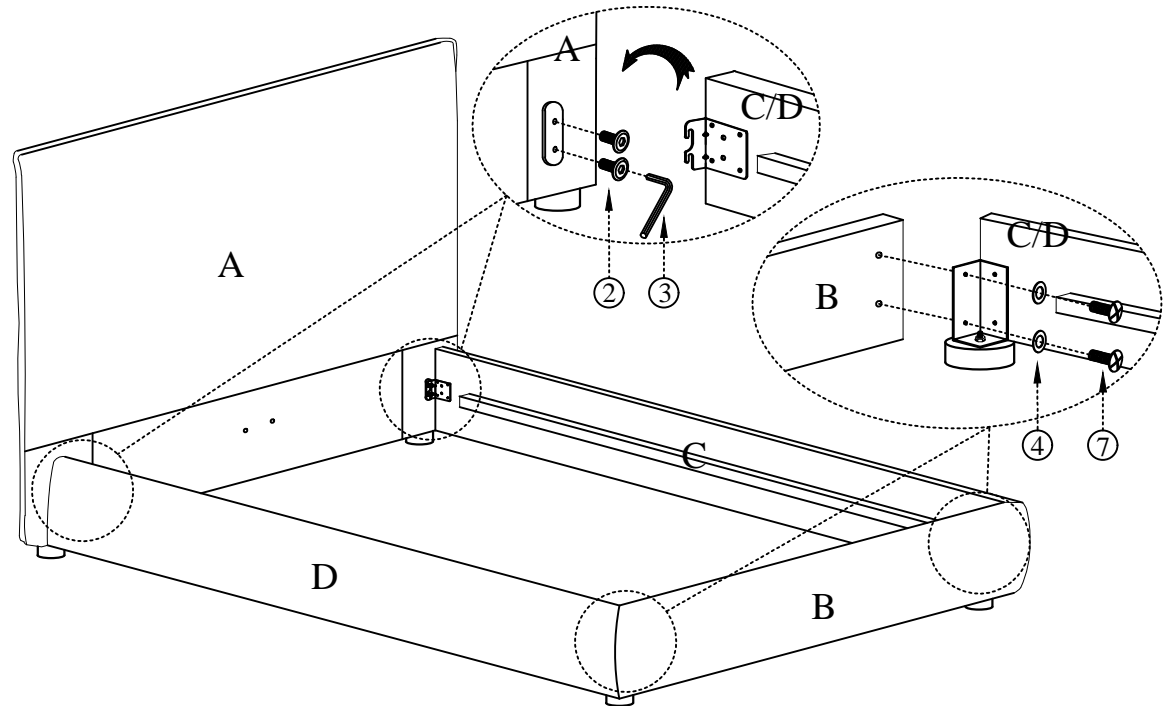
Thank you for purchasing this quality product! Be sure to check all packing material carefully for small parts that may have come loose inside the carton during shipping.

CAUTION: The item is heavy, assembly should be performed by two people.







STEP 1.



STEP 2.



PARTS AND HARDWARE.

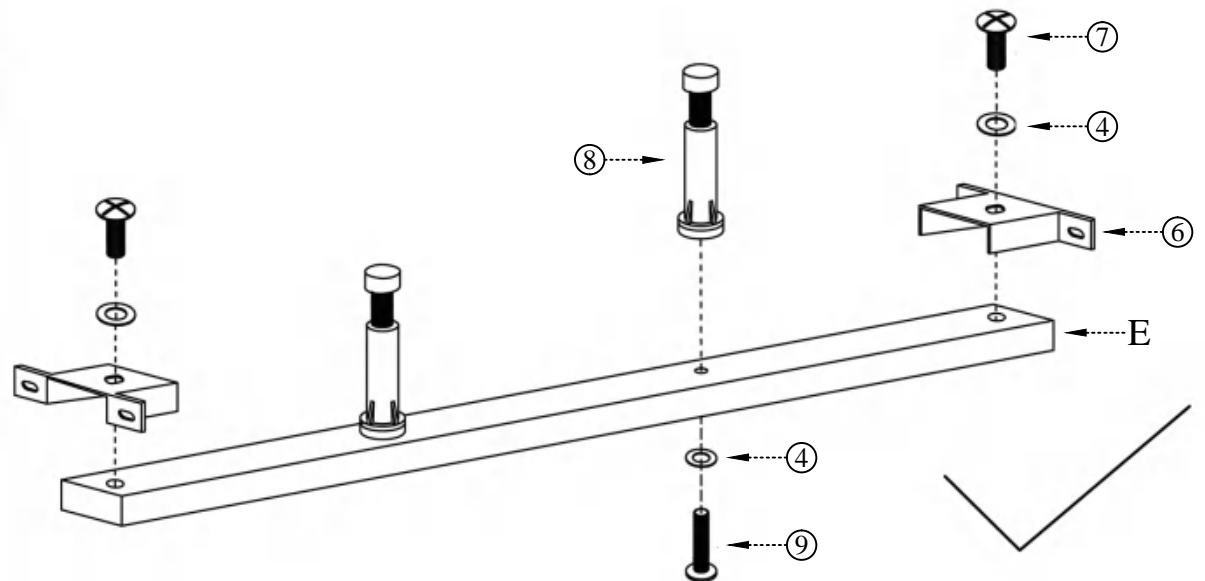
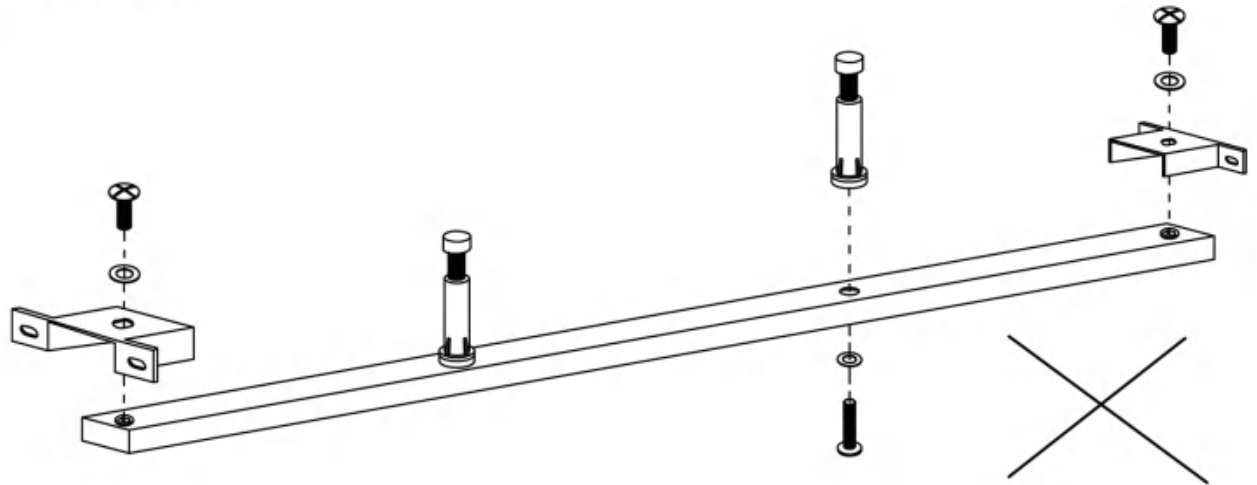
	
Center Rail E X 1	Washers ④ X 4
	
Brackets ⑥ X 2	Bolts(m8*25) ⑦ X 2
	
Plastic Support legs ⑧ X 2	Bolts (M8*40) ⑨ X 2

NOTES.




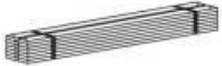
Thank you for purchasing this quality product! Be sure to check all packing material careful for small part that may have come loose inside the carton during shipping.

CAUTION: The item is heavy, assembly should be performed by two people.

STEP 3.



PARTS AND HARDWARE.

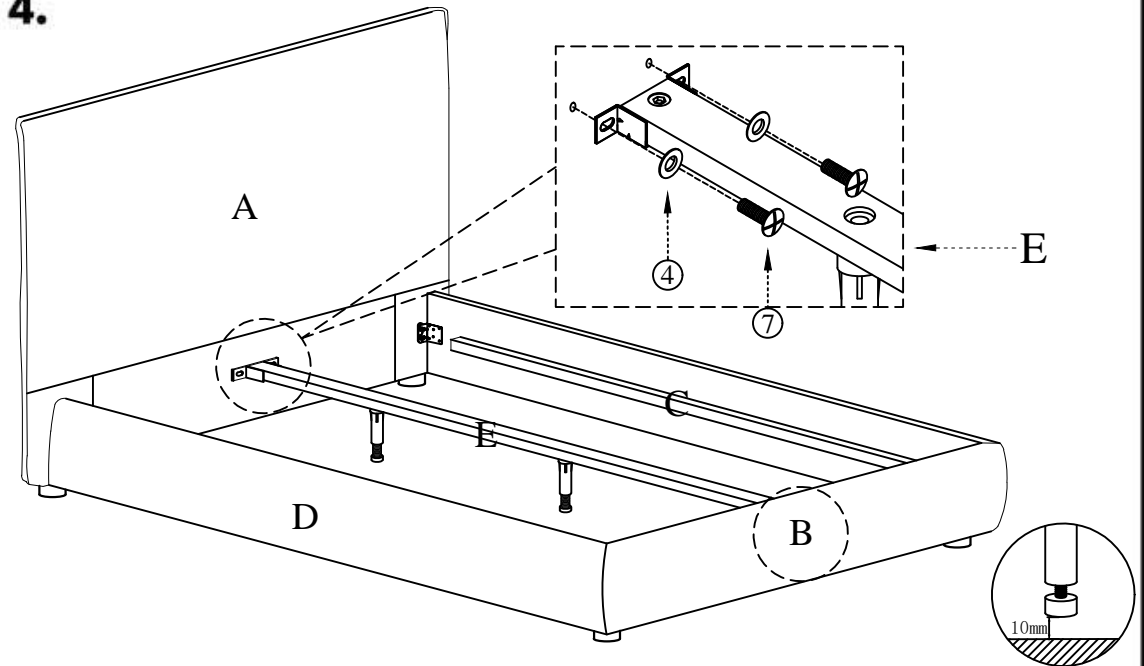
 Washers ④ X 4	 Bolts(m8*25) ⑦ X 4
 Screws(m8*32) ⑩ X 42	 Slats F X 1

NOTES.

Thank you for purchasing this quality product!
 Be sure to check all packing material careful
 for small part that may have come loose
 inside the carton during shipping.

CAUTION:The item is heavy,assembly
 should be performed by two people.

STEP 4.



STEP 5.

