

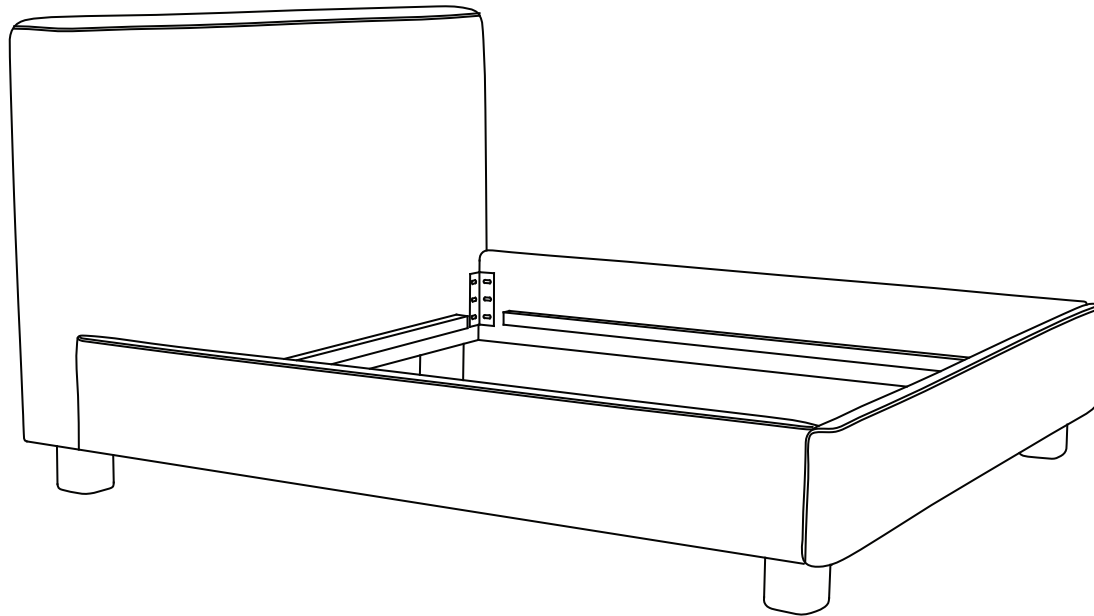
MOE'S

home collection

ASSEMBLY INSTRUCTIONS.

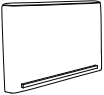
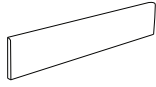
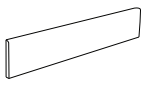

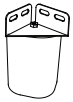
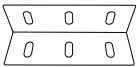
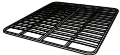




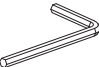



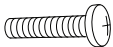
ICHIGO QUEEN BED DEEP ORANGE

OA-1002-12-0



THANK YOU FOR YOUR PURCHASE!

PARTS AND HARDWARE.

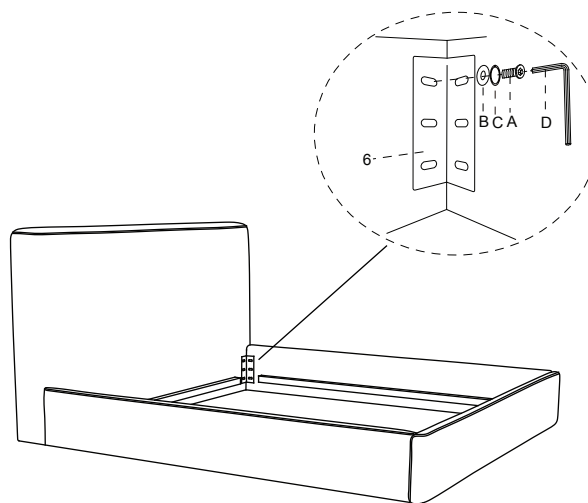
1. HEADBOARD x 1 	2. FOOTBOARD x 2 	3. LEFT SIDE RAIL x 1 
4. RIGHT SIDE RAIL x 2 	5. CENTER RAIL x 2 	6. SLATS x 4 
7. 	8. x2 	
A M8*3cm x24 	B x24 	C x24 
D M6*1 	E M6*3cm x8 	F M8*12cm x2 
G x4 	H x4 	

NOTES.

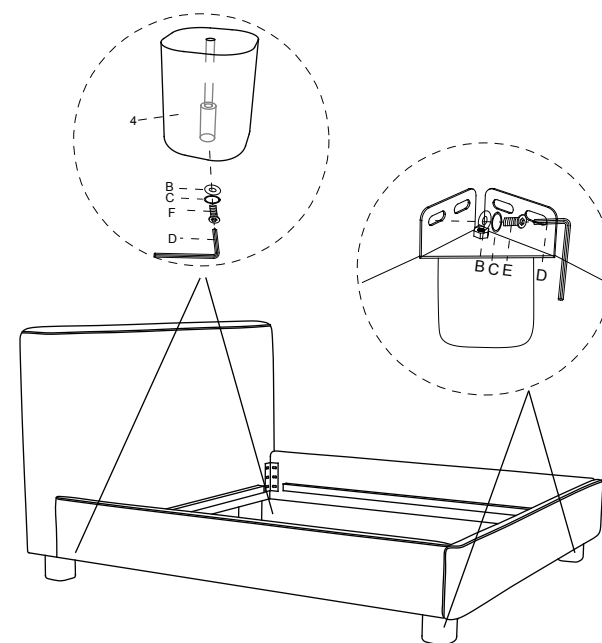
Thank you for purchasing this quality product!
Be sure to check all packing material carefully for small part that may have come loose inside the carton during shipping.

CAUTION: The item is heavy, assembly should be performed by two people.

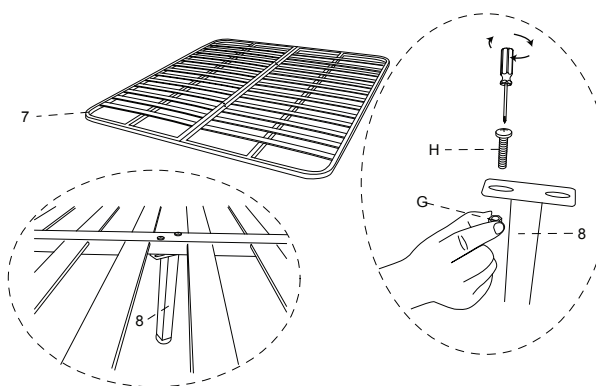
STEP 1.



STEP 2.



STEP 3.



STEP 4.

