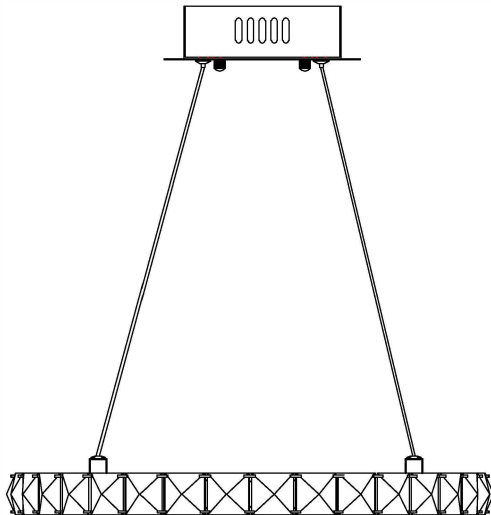


Trade Mark:  
CRYSTAL WORLD INC

Product Name: Pendant lamp  
Model :5080P16ST-R  
120Vac, 60Hz,AC ONLY  
Lamp Size:Ø16"XH118"




Intertek  
4006677

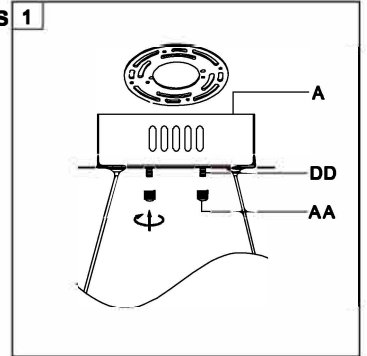
## PENDANT LAMP ASSEMBLY INSTRUCTIONS

1. Place fixture (A) onto mounting screws (DD). secure with cap nuts (AA).

### Hardware Used

AA Cap nut  X 2

DD Mounting screw  X 2



2. lighting bulbs ( not included).

**120V LED  15\*1W  
NOT DIMMABLE (4000K)**

