

# RLF-3312

## 3" LED SQUARE EGDELIT INDIRECT RECESSED DOWNLIGHT



Fixture Type
Project
Notes



RLF-3312



RLF-3312-WH complete set

LED Edgelit Indirect Recessed Downlight series is designed for residential and commercial applications. Its hidden light source bounces off the interior dome to emit a diffused soft functional light. One-piece die cast aluminum trim and heat sink construction ensures longevity of the LED with White integral dome and Plug-and-Play Remote Driver included. With an ultra shallow profile of merely 1-1/2" deep coupled with IC and Airtight rating, this Indirect Downlight is perfect for tight spaces such as soffits, insulated and suspended ceilings as well as installations directly below ceiling joists. The fixture installs flush to ceiling with no Housing required for Remodel applications and New Construction Mounting Frame is optional. It is Triac dimmable.



### SPECIFICATIONS

INPUT VOLTAGE	120V AC
WATTAGE	12 W
LUMENS	620 Lm
EFFICACY	52 Lm/W
CRI	90+
BEAM ANGLE	110°
DIMMING <sup>1</sup>	TRIAC
CUT-OUT	4-3/16" x 4-3/16"

RATINGS	IC, Airtight
ENVIRONMENT	Indoor - Dry
CERTIFICATIONS	cETLus   T24 JA8 only for 30K, 35K, 40K
LUMEN MAINTENANCE	50,000 hours
INCLUDES	Integrated white dome and remote driver
OPTIONAL	3" square frame for new construction
WARRANTY <sup>2</sup>	5 years

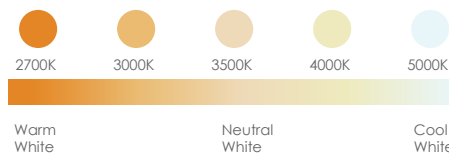
<sup>1</sup> Effectively dim down to 10%

<sup>2</sup> See published warranty terms for detailed information

### PERFORMANCE

CCT selectable via switch on heatsink

COLOR TEMPERATURE <sup>3</sup>	LUMEN <sup>4</sup>	WATTAGE	EFFICACY	CRI
2700K	620 Lm	12 W	52 lm/W	90+
3000K*	620 Lm	12 W	52 lm/W	90+
3500K	620 Lm	12 W	52 lm/W	90+
4000K	620 Lm	12 W	52 lm/W	90+
5000K*	620 Lm	12 W	52 lm/W	90+



<sup>3&4</sup> CCT within +/-10%

\*Consult factory

### ORDERING INFO

Light Engine with LED

	MODEL <b>RLF-3312</b>	CCT / CRI	TRIM <b>WH</b> WH - White
		2700 - 2790K / 90 CRI*	
		3000 - 3090K / 90 CRI (JA8)	
		3500 - 3590K / 90 CRI (JA8)	
		4000 - 4090K / 90 CRI (JA8)	
		5000 - 5090K / 90 CRI*	

\*Consult factory

### OPTIONAL ACCESSORY

(Sold separately)



MODEL <b>RLF-33F</b>
3" square aperture new construction frame with snap-on locations for the fixture and junction box

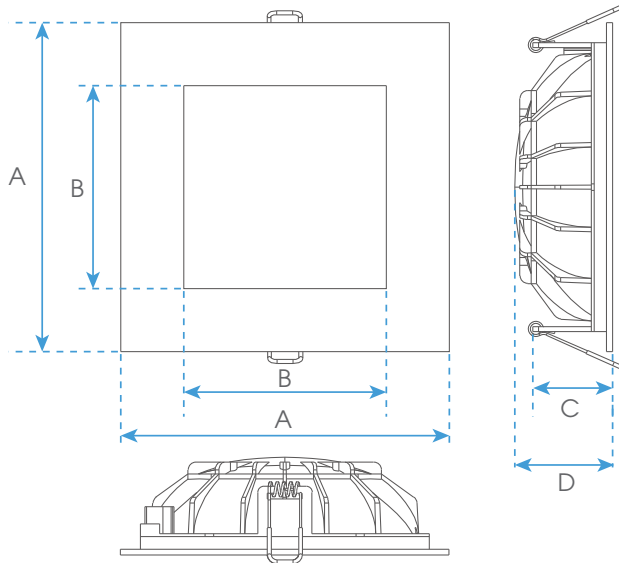
# RLF-3312

3" LED SQUARE EGDELIT INDIRECT  
RECESSED DOWNLIGHT



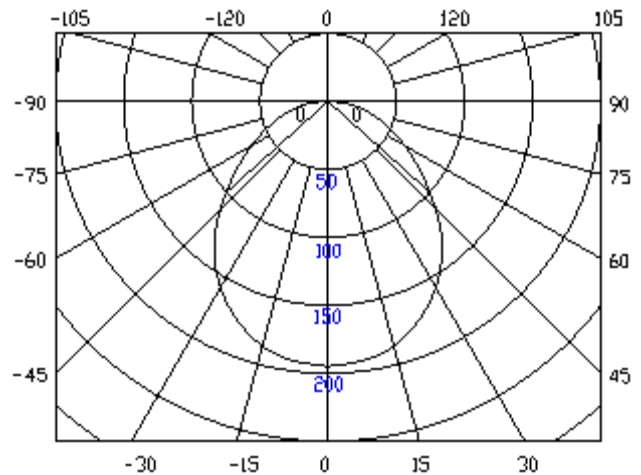
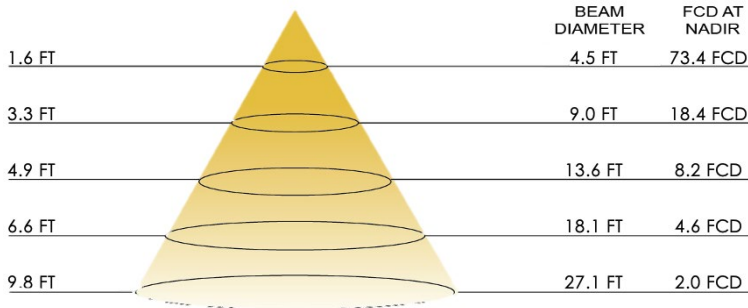
Fixture Type
Project
Notes

## TECHNICAL DRAWING



DIMENSIONS		
<b>A</b>	4-3/4"	121 mm
<b>B</b>	3"	76 mm
<b>C</b>	1-5/16"	33 mm
<b>D</b>	1-1/2"	81 mm

## PHOTOMETRIC DATA



## COMPATIBLE DIMMERS

<b>COOPER</b>	SI06P
<b>LEVITON</b>	6621, 6672, IPL06-10Z
<b>LUTRON</b>	PD-6WCL, DVCL-153P, SFTU-5A3P, DMD-LE3-D, CTCL-153P, DV-600P