

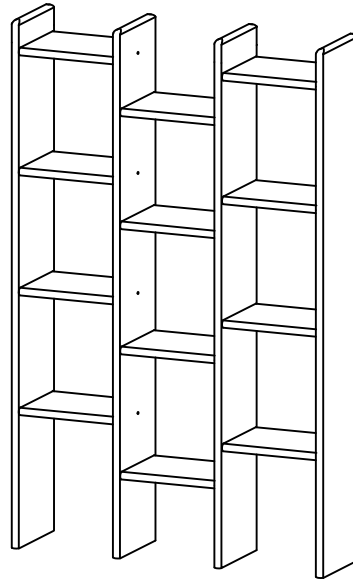
MOE'S

home collection

ASSEMBLY INSTRUCTIONS.

ORSON BOOKCASE BROWN

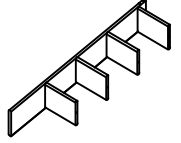
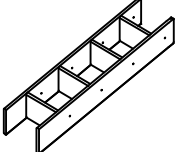
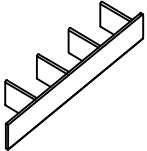
BZ-1158-03



THANK YOU FOR YOUR PURCHASE!

PARTS & HARDWARE.

PART LIST

NO.	DESCRIPTION	IMAGE	Qty
A.	LEFT PART		1
B.	MIDDLE PART		1
C.	LEFT PART		1

HARDWARE LIST

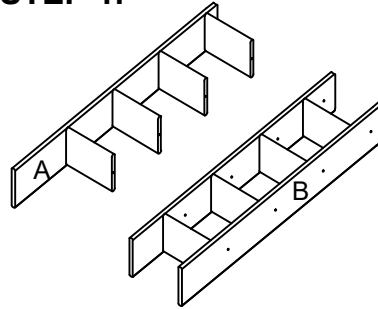
D.	Allen Bolt 6x16mm		16
E.	Allen Key 4mm		1

NOTES.

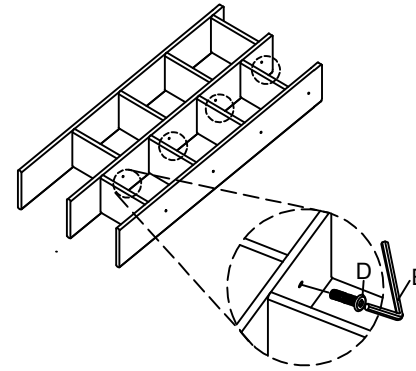
Thank you for purchasing this quality product!
Be sure to check all packing material carefully
for small part that May have come loose
inside the carton during shipping.

CAUTION: The Item is heavy, assembly
should be performed by two people.

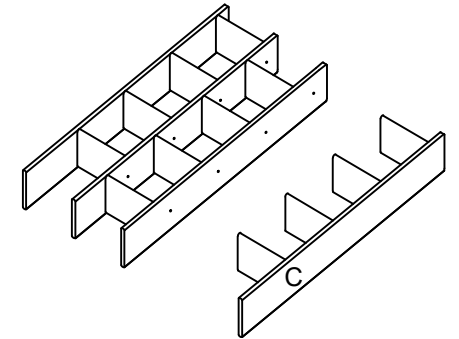
STEP 1.



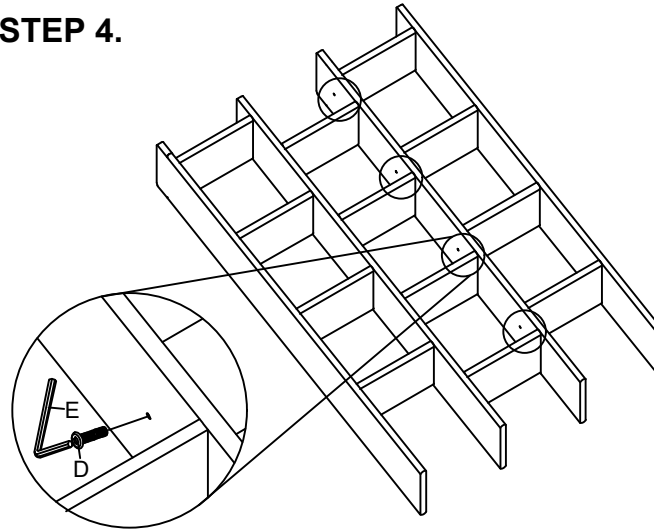
STEP 2.



Step 3



STEP 4.



STEP 5.

