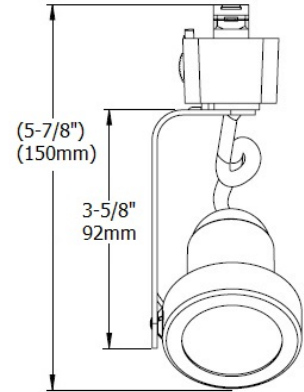
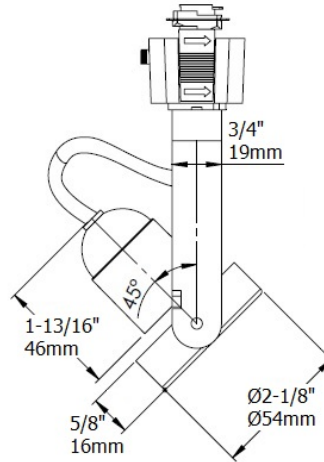
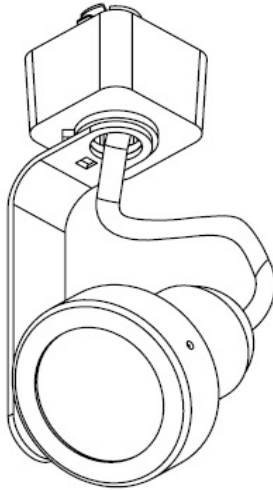




**HV210**

**MINI GIMBAL TRACK LUMINAIRE**

Type	
Project	
Catalog No.	



**DESCRIPTION**

GU10 Halogen or LED track fixture in a minimal yet functional open gimbal ring design. Detailed yoke with smooth transition line. Attractive socket cover in matching color. Suitable for residential application or any small spaces with low mounting height.

**CONSTRUCTION**

- Molded polycarbonate track fitting.
- Spring loaded locking tab.
- Steel yoke and gimbal ring.
- Die-cast aluminum socket cover.
- Powder coat paint.
- 350° horizontal, 90° vertical aim adjustment.

**MOUNTING**

Selection of three track fittings. Provides electrical and mechanical connection to single or two circuit track systems.

**ELECTRICAL**

Porcelain socket, GU10 base. Integral ON/OFF switch.

**DIMMING**

JESCO HV210 track luminaire is compatible with most dimming protocols prevalent in the United States. Please consult lamp manufacturer for latest compatibility information.

**LAMPS**

Halogen or LED. GU10 base 120V 50W max.

**LABELS**

cULus Listed

**WARRANTY**

18 months

**ORDERING INFORMATION**

SYSTEM	SERIES	FINISH
H2 = Jesco H1 Track or Halo <sup>1</sup> Power-Trac L2 = Jesco L Track or Lightolier <sup>2</sup> Lytespan Track J2 = Jesco J1, J2 or Juno <sup>3</sup> Trac-Master	<b>HV210</b>	<b>BK</b> – Black <b>WT</b> – White
	<b>HV210</b>	

Notes:  
<sup>1</sup>Halo is a registered trademark of Cooper Lighting.  
<sup>2</sup>Lightolier is a registered trademark of Philips Lighting.  
<sup>3</sup>Juno is a registered trademark of Juno Lighting.



www.jescolighting.com  
support@jescolighting.com  
**Tech Support:** 855.592.0029

15 Harbor Park Drive  
Port Washington, NY 11050  
**Main Line:** 800.527.7796  
**Fax Line:** 855.265.5768

219 South 6<sup>th</sup> Ave  
City of Industry, CA 91746  
**Main Line:** 855.654.0110  
**Fax Line:** 626.333.2955

Specifications subject to change without notice.