

SAFETY INFORMATION

Please read and understand this entire manual before attempting to assemble, install or operate the product.

CAUTION

- For your safety, read instructions completely before beginning installation.
- Quozel recommends 2 people for each step during assembly.

TOOLS REQUIRED

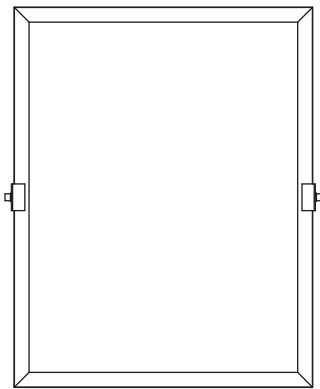


CARE AND MAINTENANCE

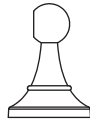
- Wipe clean using soft, dry cloth or static duster. Always avoid using harsh chemicals and abrasives to clean fixture as they may damage the finish.

If you need further assistance call Quozel Customer Care at 1-800-645-3184 (9:00am - 5:00pm EST), or visit us on-line at www.quozel.com.

PACKAGE CONTENTS

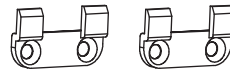


A Mirror
x 1

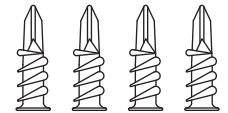


B Metal Part
x 2

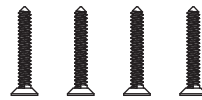
MOUNTING HARDWARE



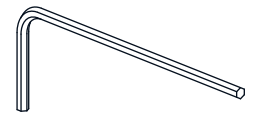
AA Mirror Hanger
x 2



BB Wall Anchor
x 4



CC Screw
x 4



DD Allen Wrench
x 1

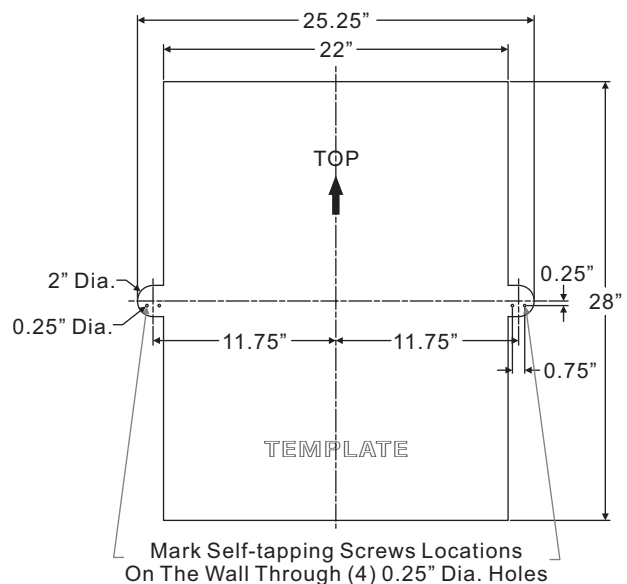
INSTALLATION

1 Identify Screws Locations for mounting the Mirror Hangers By Using Template

The template included with package is provided to assist you in placing the mirror in the location you desire. The template is a full size drawing of your mirror and includes hanger mounting locations that your mirror maybe hung.

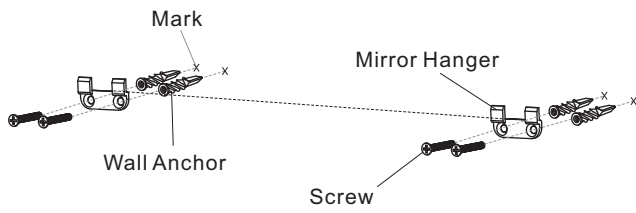
Place the template on the wall in the location you have selected for your mirror. Once you have the template in the location you desire and making sure it is level you may tape or pin the template to the wall. Now you may mark the holes for the mounting hardware as indicated on your template. You may mark the mounting hardware location by either using a pin and pushing it through the template leaving a small hole on the wall. Or you may use a pencil and place a mark on the wall through a small hole you cut into the template at the correct mounting location.

Remove the template from the wall and install the Mirror Hangers.



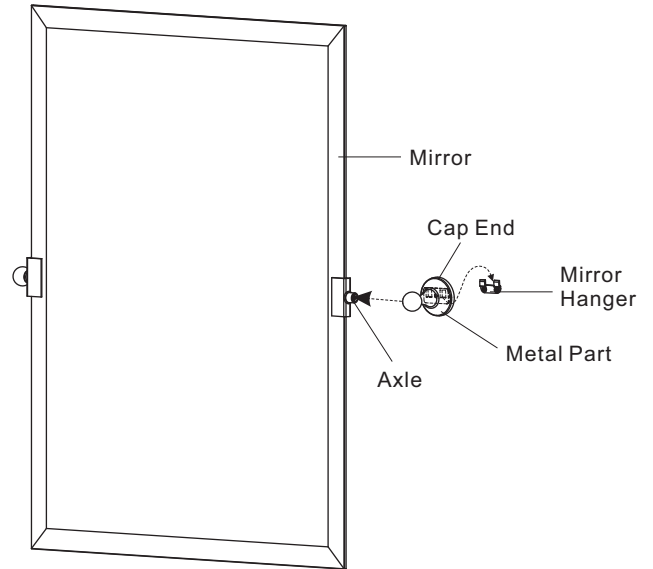
INSTALLATION

2 Installing the 2 Mirror Hangers



- Using a 1/8" drill bit, drill holes at each locations marked on the wall surface.
- Insert wall anchors into drilled holes completely.
- Using screws provided with the mirror hangers, attach the 2 mirror hangers to wall anchors.

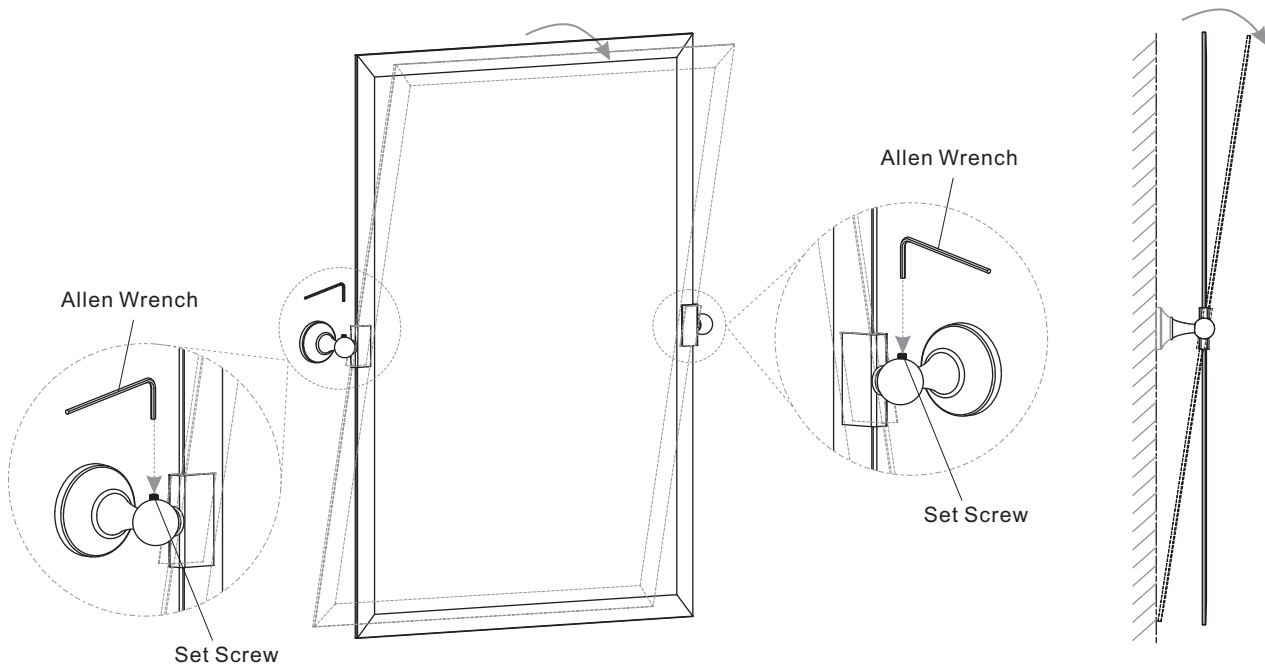
3 Hanging the Mirror



Attach metal parts onto axles on the sides of the mirror with the cap end of metal part against mirror hangers. By holding metal parts with mirror to hang the mirror to mirror hangers on the wall.

4 Adjust Mirror Angle

Always tighten set screws on metal parts with Allen wrench once your desired mirror angle is achieved.



Clean glass with household glass cleaner. Retain this sheet for future reference.