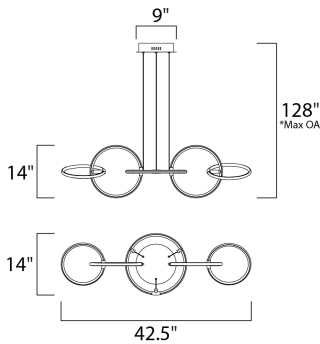




**PRODUCT DESCRIPTION**

Rings of Black with Polished Chrome accents adjust to create interesting shapes and configurations. Illuminated by LED strips, this collection combines ultimate energy savings and adjustable light dispersion.



\*max overall height

**MEASUREMENTS**

DIMENSION : 42.5" L x 14" W x 14" H  
 MAX OAH : 128" OAH  
 CANOPY : 9" W x 2" H x 9" L  
 HANGING WEIGHT : 6.8 lb

**LAMPING**

LUMENS : 4,130 Rated  
 BULB : 5 x 59W LED PCB Integrated , 59W Total  
 BULB INCLUDED : (Integrated)  
 DIMMABLE : Triac CL  
 CRI : 80+ CRI  
 COLOR\_TEMP : 3000K

**FINISHES OPTION**

 Black / Polished Chrome

**MATERIAL**

Metal, Aluminum, Acrylic

**RATINGS**

cETLus  
 Dry Location



**ADDITIONAL**

ADJUSTABLE  
 OPERATING TEMPERATURE:  
 -20°C (-4°F), 40°C (104°F)

Always consult a qualified electrician before installing any lighting product.



**WESTERN DISTRIBUTION CENTER (HEADQUARTER)**  
 253 NORTH VINELAND AVE | CITY OF INDUSTRY, CA 91746  
**EASTERN DISTRIBUTION CENTER**  
 4200 SHIRLEY DR. | ATLANTA, GA 30336  
 P. 626.956.4200 | F. 626.956.4225 | et2online.com