

Please go to www.quoizel.com for product cleaning tips. Go to the **Care + Maintenance** selection.

Tools Required: Flathead screwdriver, Phillips screwdriver, pliers, wire cutters, wire strippers, electrical tape, safety glasses.

Light Source: (1) A19 Medium Base 100W bulb Maximum, bulb not included.

Fixture Hanging Height: Minimum Hanging Height is 20", Maximum Hanging Height is 111.5".

Estimated Assembly Time: 30-45 minutes

Preparation: Identify and inspect all parts before beginning installation. Check package content list and diagrams below to be sure all parts are present. If any parts are missing or damaged, do not attempt to assemble, install, or operate the fixture. Missing Parts? Contact your original place of purchase.

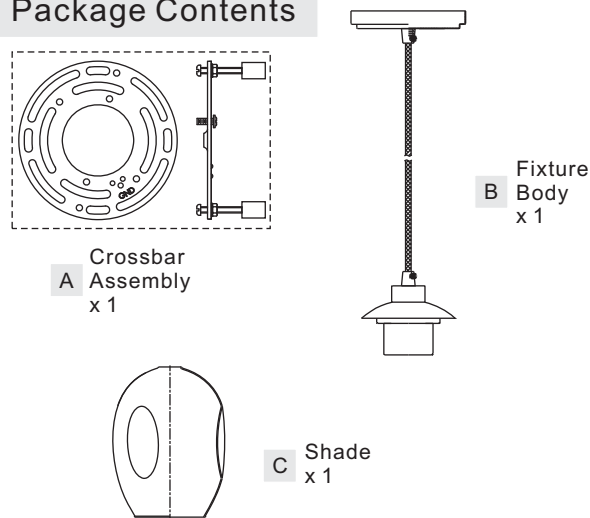
⚠ Warnings and Cautions

Turn off electricity at circuit breaker or main fuse box before installation. Consult a licensed electrician if in doubt.

These instructions are provided for your safety. It is very important you read them completely before installing the fixture. We strongly recommend that a licensed, professional electrician perform the installation.

Disconnect fixture from power source before replacing bulbs. Make sure bulbs are given sufficient time to cool before removal.

Package Contents



STEP 2 – Installing the Crossbar Assembly

A. Pass the supply wires from outlet box through the Crossbar Assembly (A). Attach the Crossbar Assembly (A) to the Outlet Box with the head of the Green Ground Screw facing you. Secure the Crossbar Assembly (A) with Outlet Box Screws (not included). Tighten until snug.

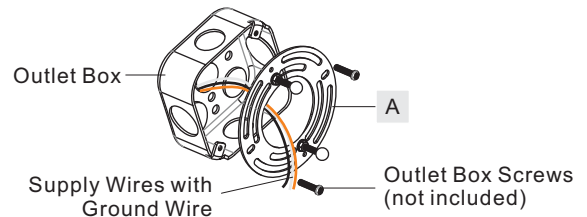


Figure 2

STEP 1 – Adjust Fixture Height

- Loosen the set screw on the coupling underside of the ceiling canopy. Adjust the cord in or out of the ceiling canopy according to your hanging height.
- Tighten the set screw on the coupling once your hanging height is achieved. Move the safety clip next to the hex nut inside of the ceiling canopy.

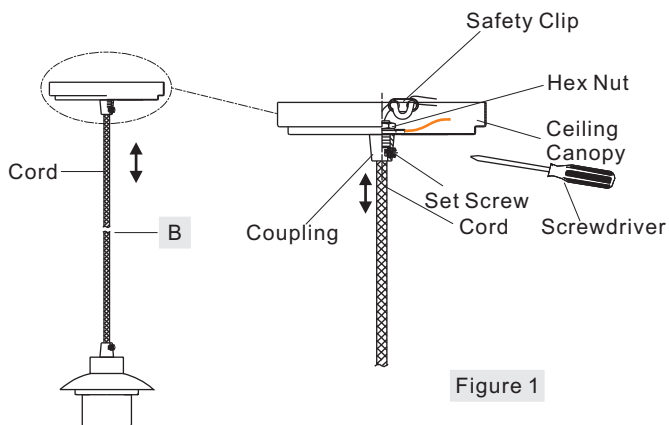


Figure 1

STEP 3 – Test Fitting Ceiling Canopy to Crossbar Assembly

A. Remove mounting balls from the Crossbar Assembly (A). Fit the Ceiling Canopy to the Crossbar Assembly (A) and secure with mounting balls. Note: The Ceiling Canopy should be snug against the ceiling and the mounting balls. If not, adjust the length of the nipple on the Crossbar Assembly (A) by unscrewing the preassembled hex nut and lock washer and then screwing the mounting screws in or out of the crossbar until the correct length is achieved. Once the Ceiling Canopy is secure, remove the mounting ball and Ceiling Canopy and proceed to Step 4.

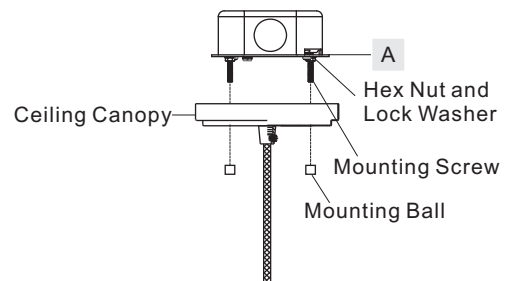
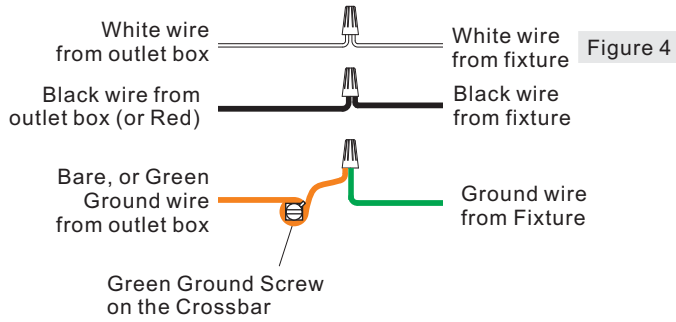


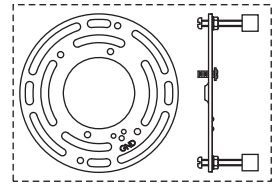
Figure 3

STEP 4 - Wire Connections

- A. Wrap bare or green ground wire around green ground screw on the crossbar, no less than 2 inches from the end of the wire. Tighten the green ground screw.
- B. Use standard wire connectors (not included) to make all wire connections. Twist connectors until wires are tightly joined together. Wrap each connection with approved electrical tape and carefully stuff all the connected wires into the Outlet Box.
- C. If the electrical wire is going to be cut shorter than provided, strip back the clear wire covering the 3 fixture wires as far as you need to. This will expose each fixture wire individually. Strip each end of 3 fixture wires.

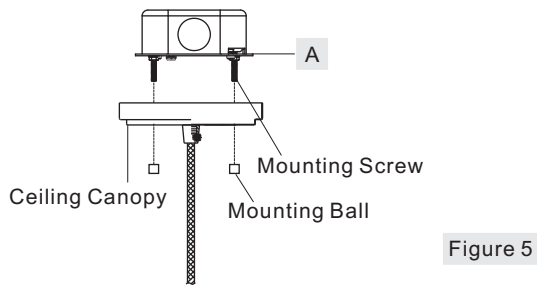


NGA1510PK
FINISH: POLISHED NICKEL



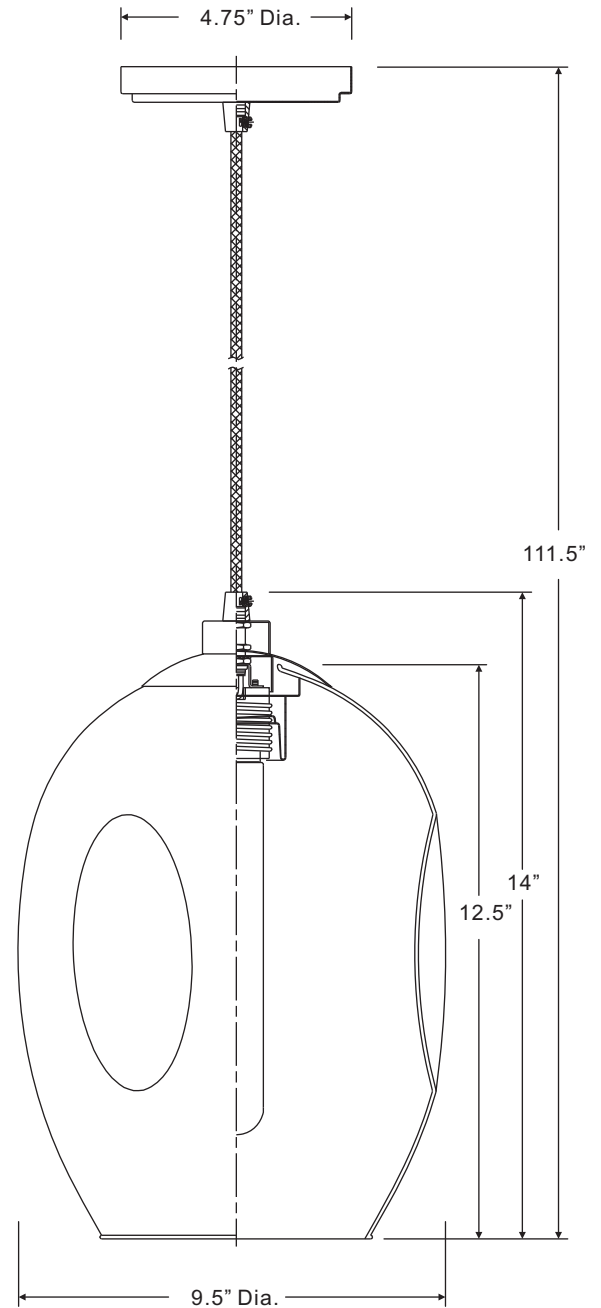
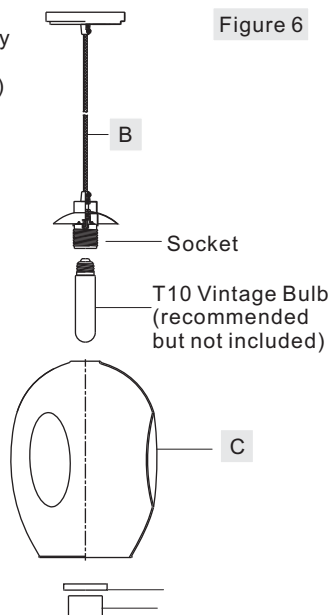
STEP 5 - Install the Fixture

- A. Carefully tuck all wires into the outlet box and position the Ceiling Canopy over the outlet box. Align the holes in the Ceiling Canopy with the mounting screws, then attach the Ceiling Canopy using the previously removed mounting balls. Hand tighten until snug.



STEP 6 - Install Shade and Bulb

- A. Remove Stem from Fixture Body (B).
- B. Place the holes of the shade (C) over the bolts on the underside of the Fixture Body (B). Secure the Shade (C) by threading the Stem onto the bolts. Hand tighten until snug.
- C. Insert bulbs onto sockets and screw snugly into place.



NOTE: ALL DIMENSIONS ARE ROUNDED UP TO THE NEAREST 1/4"