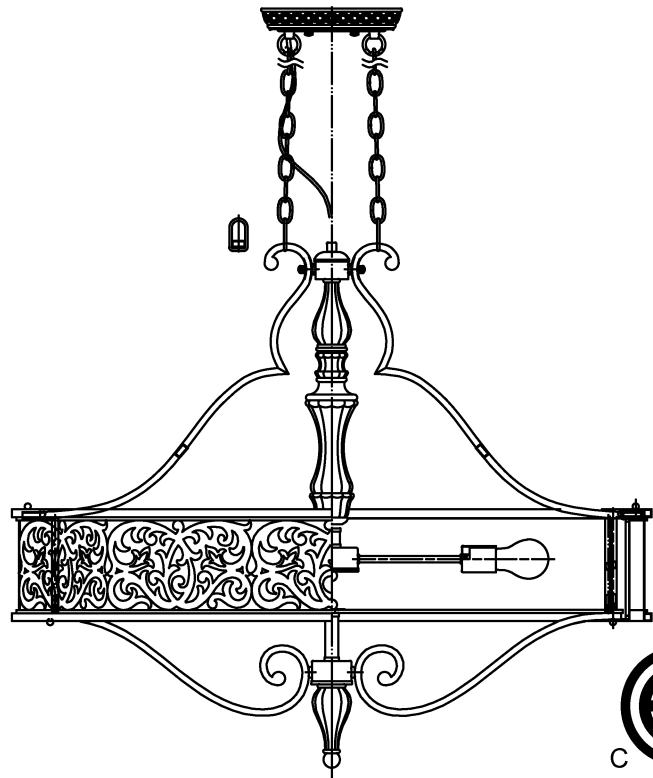


Trade Mark:
CRYSTAL WORLD INC

Product Name: Pendant lamp
Model :9807P39-116
120Vac, 60Hz,AC ONLY
Lamp Size:L39"*W24"*H32"~150"

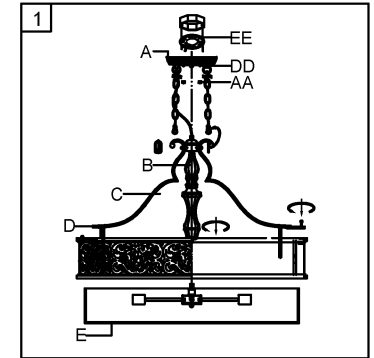


PENDANT LAMP ASSEMBLY INSTRUCTIONS

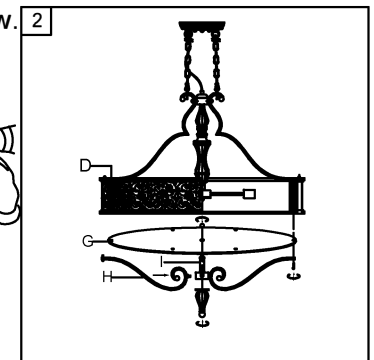
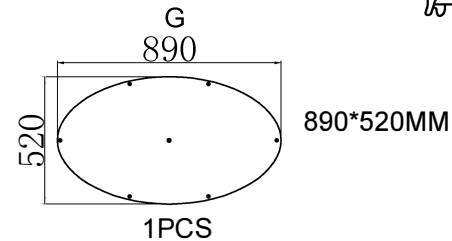
1. Place fixture(A) onto mounting screws (DD).secure with cap nuts (AA).
Please fix (B) and(E) ,(C) with(B,D), (A) with (C).


Hardware Used

AA Cap nut		X 2
DD Mounting screw		X 2



2. Please fix (H) with (I)secure with screw.
Please hang the glass (G) to the (I) fixture .Please fix (I) with (D)secure with screw.



3. Install light bulbs (not included).
Use bulb  4*60W Max.

