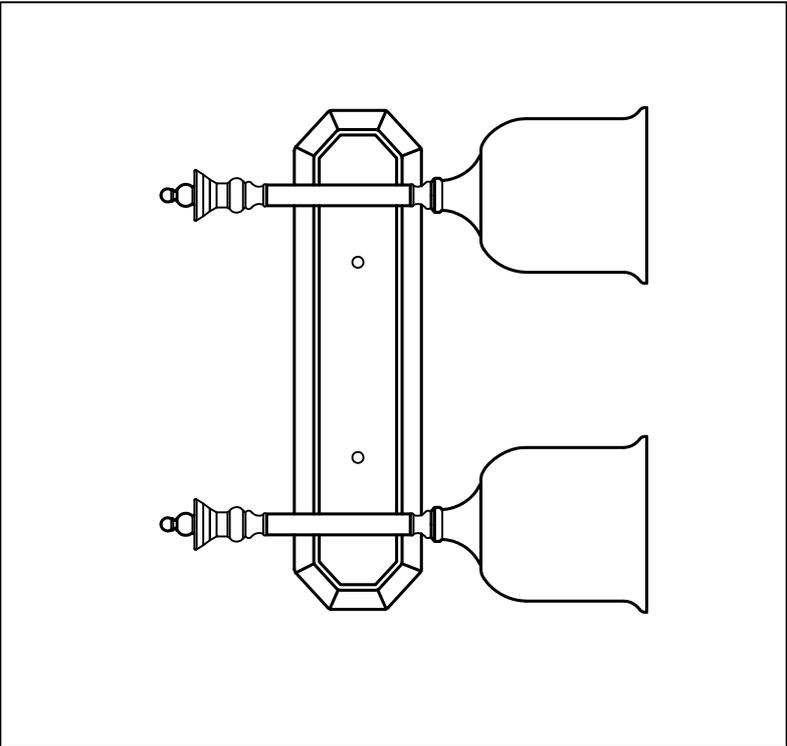




PRODUCT NAME: Centennial 2-Lights Bath Vanity
ITEM NUMBER: 20474CLPN

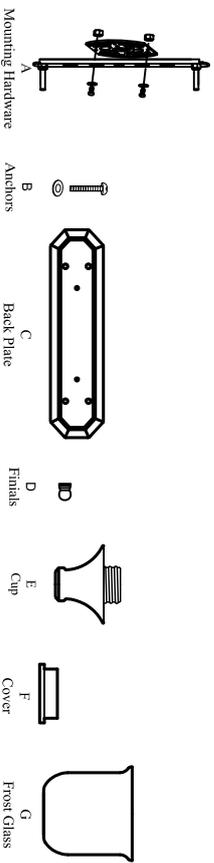
Please consult your electrician for hanging fixture and wiring.



Bulb (Not included): 2x 60W E26 medium base

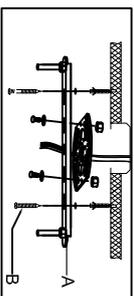
MADE IN CHINA
Page 1 of (2)

IMPORTANT: Turn OFF the power at the main fuse or circuit breaker box before starting installation



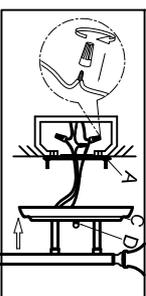
Locate all hardware & components before discarding packaging

1.)



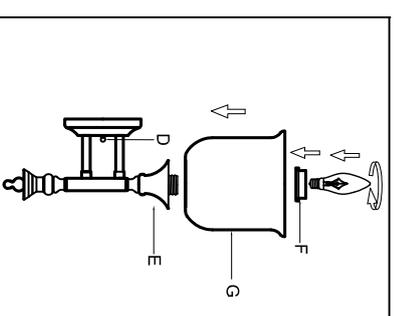
Step 1: Remove mounting bracket (A) from back plate (C) and install to electrical box.

2.)



Step 2: Wire fixture to wires in outlet box. Black wire is positive, white is neutral, bare wire is ground. Install fixture to mounting bracket (A) using back plate Finials (D).

3.)



Step 3: Put the glasses (G) with the covers (F) into the cups (E). Use Max 60W bulbs.

Cleaning & Care:

Clean with soft cloth and a mild detergent.
Do not use abrasive cleaner.