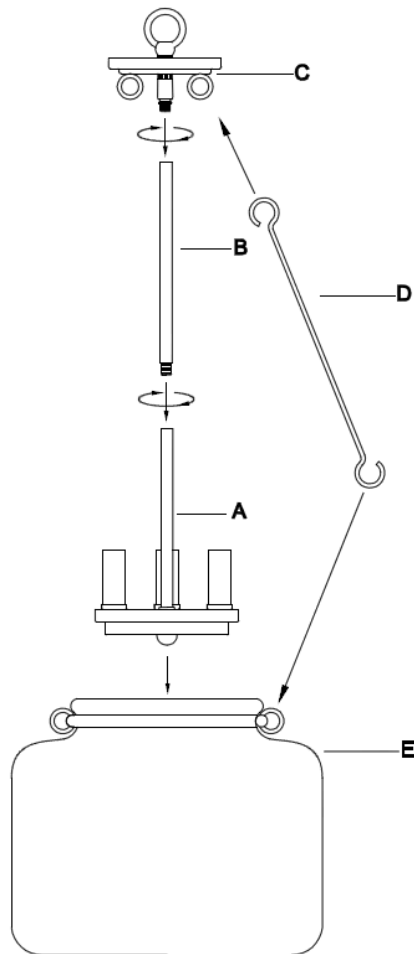




ASSEMBLY INSTRUCTIONS

ITEM NO.: 7-9006-3



B→A→C→D→E

1. Carefully unpack and identify all parts referring to illustration for parts identification.
2. Turn the power to the installation point OFF.
3. Thread the center rod (B) into the top of fixture body (A). Hand tighten until snug.
4. Thread the bottom of Assembly (C) onto the top center of center rod (B) until snug.
5. Attach both ends of the tie rod (D) to the Assembly (C) and the glass shade (E).
6. Referring to the installation instruction with the product for the wiring and installation.
7. Install proper bulbs (not provided) to the sockets referring to the marking and/or labels on the fixture for maximum wattage.
8. Restore the power to the installation point ON.
9. Assembly is completely. Retain this sheet for future reference.