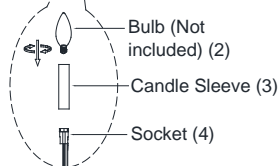
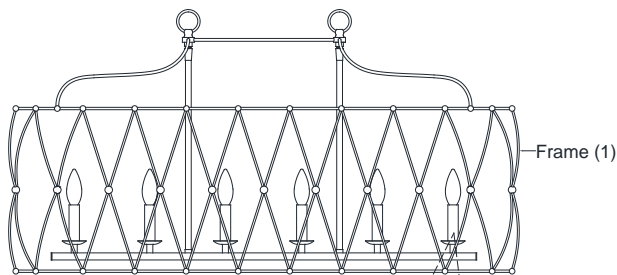
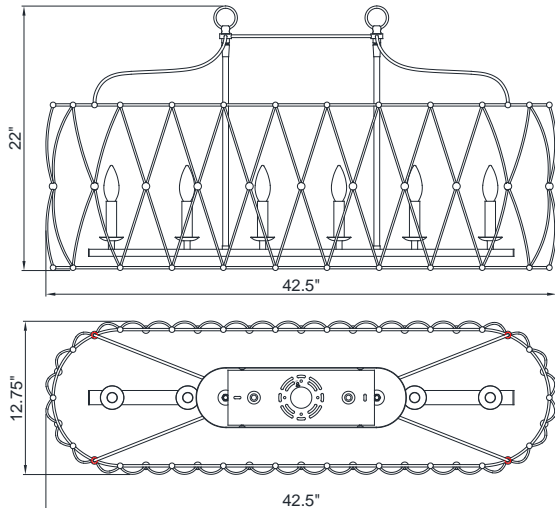


# CRYSTORAMA

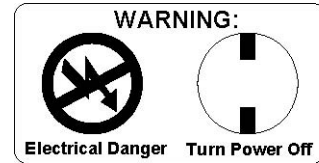
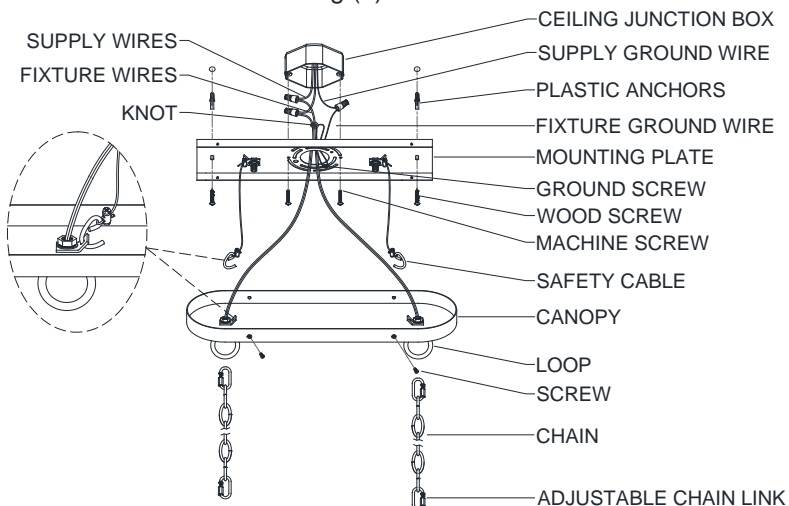
LIGHTING THE WAY FOR SIXTY YEARS

## ASSEMBLY INSTRUCTION MODEL# ZUC-A9037-EB-GA

Drawing (1)



Drawing (2)



All electrical components must be installed by a licensed electrician in accordance with the National Electric Code and the appropriate local electrical codes.



You will need 6-Candelabra  
40 Watts Recommended 60 Watts Max  
USE LED BULBS FOR EXTENDED USE

**This fixture is DRY rated**

### How to Install:

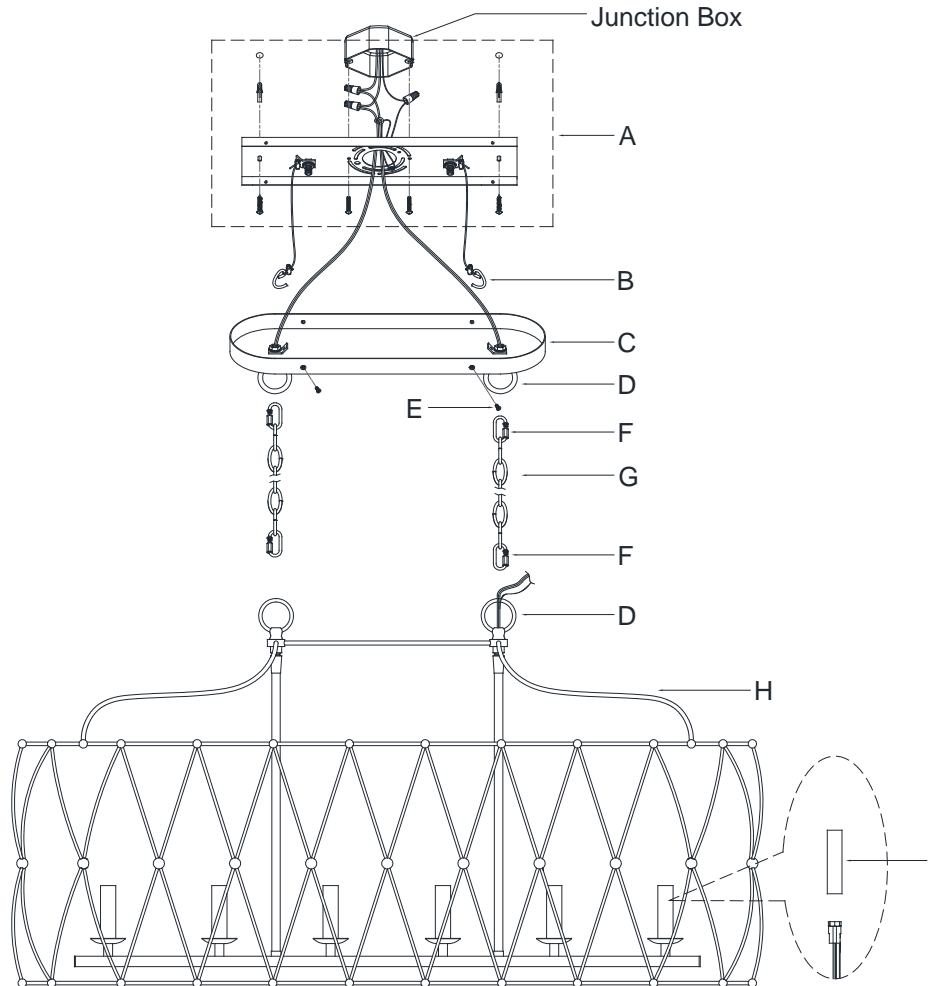
1. Place the Candle Sleeve (3) over the Socket (4) then Install the bulb (2) to the Socket (4).
2. Measure the distance between two mounting holes on the mounting plate and drill the two holes in the ceilings surface based on that distance. Insert the plastic anchors into the holes.
3. Place the mounting plate over Junction box securing it with the machine screw. For extra securement, insert the wood screws into the plastic anchors pre-buried in the wall and tighten it.
4. Raise the Frame (1) to the ceiling and hook the safety cable onto the Canopy. Now the Lighting Fixture is supported by the safety cable.
5. Attach the Frame (1) onto the ceiling by securing the canopy into the mounting plate, using the screws.

**WARNING:** This product can expose you to lead, which is known to the state of California to cause cancer and / or birth defects or reproductive harm. For more information go to [www.P65warnings.ca.gov](http://www.P65warnings.ca.gov)

# CRYSTORAMA

LIGHTING THE WAY FOR SIXTY YEARS

ASSEMBLY INSTRUCTION MODEL# ZUC-A9037-EB-GA



## Part Number

- A. (1) Mounting Hardware
- B. (2) Safety Cable
- C. (1) Canopy; L17.5" x W5"(XFW9037EBGACAN17.5IN)
- D. (4) Loop
- E. (4) Screw
- F. (4) Link
- G. (2) Chain ; w4.2mm x L72" (XFW9030EBGACHA4.2MM)
- H. (1) Frame
- I. (6) Candle Sleeve; w1" x h3.35" (XFW9037EBGACDL3.35IN)