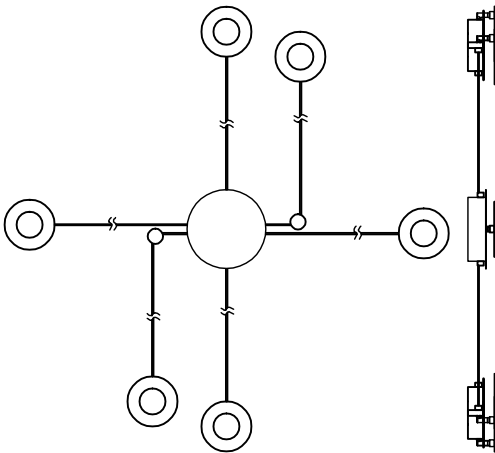


# Contemporary Lighting

PRODUCT NAME: Orbital  
ITEM NUMBER: E23176-BKWT

Please consult your electrician for hanging fixture and wiring.



The fixture is designed to dim with a standard Triac forward phase dimmer. Dimming levels will vary by dimmer.

Below is a list of recommended dimmers:

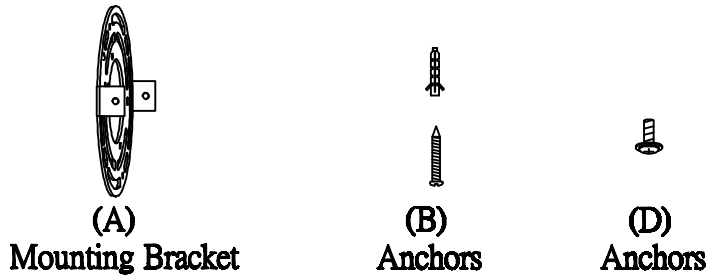
- Lutron MACL-153M
- Lutron DVL-153P
- Lutron SCL-153P
- Leviton IPL06-10Z
- Leviton 6674-POW

Due to inrush current wattage should not exceed 150 watts of product for a 600 watt dimmer.

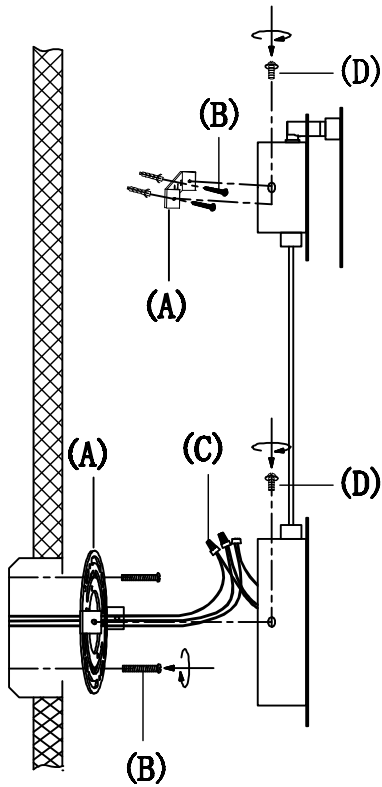
**Warning!** Wires need to be connected to driver found in canopy and should not be connected directly to power source or a short may occur.

Bulb(integrated):LED 14.4W

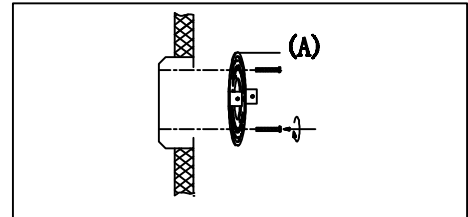
**IMPORTANT: Turn off the power at the main fuse or circuit breaker box before starting installation**



**Locate all hardware & components before discarding packaging**

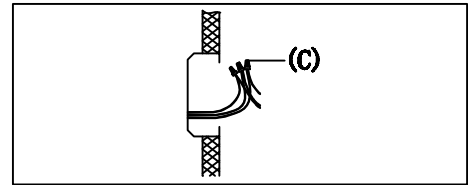


1.)



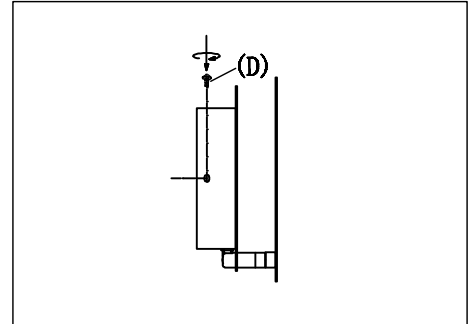
**Step.1: Remove mounting bracket (A) from fixture and install to electrical box.**

2.)



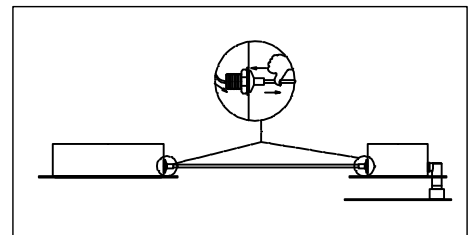
**Step.2: Wire fixture to wires (C) in outlet box. Copper wire is for Ground.**

3.)



**Step.3: Install fixture to bracket and tighten finials (D) at the ends of the canopy to secure.**

4.)



**Step.4: Adjust wire length to desired mounting position. Fix the satellite wall lights to the wall using brackets.**

**Cleaning & Care:**

Clean with soft cloth and a mild detergent.  
Do not use abrasive cleaner.