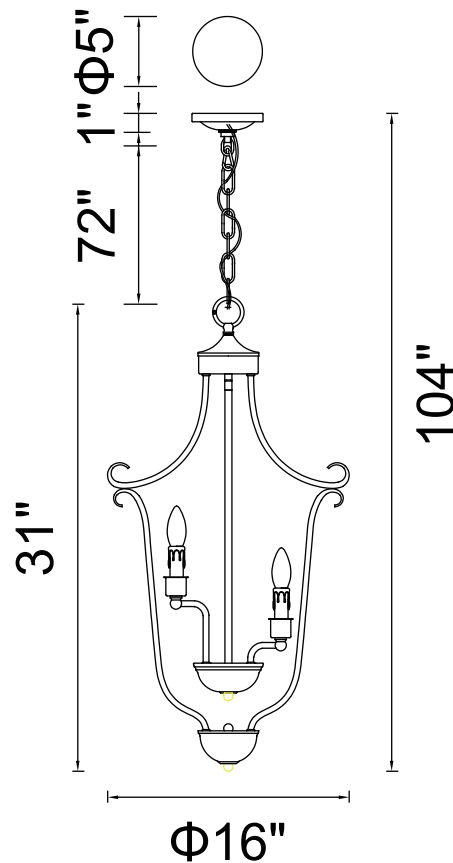


PROJECT: _____

FIXTURE TYPE: _____

LOCATION: _____

CONTACT/PHONE: _____



| | |
|------------|-----------------|
| Item | 9817P16-6-121 |
| Collection | MADDY |
| Finish | Rubbed Brown |
| Glass | ----- |
| Crystal | ----- |
| Input | 120V AC,60HZ,AC |

| | |
|-------------|-------|
| Shade | ----- |
| Length/Dia. | 16" |
| Width/Ext. | ----- |
| Height | 31" |
| Maximum | 104" |
| Lumens | ----- |

| | |
|--------------|-------|
| Light Source | E12 |
| Bulb Info. | 6×60W |
| Included | ----- |
| Dimmable | Yes |
| Color | ----- |
| Weight | ----- |