



SCHONBEK®

SONATINA ST1852N- __ __ S



14 Lights
Diameter: 35"
Height: 39"
Hanging Weight: 35lbs.

THIS DESIGN IS THE PROPRIETARY
TRADE DRESS/TRADEMARK OF
SWAROVSKI LIGHTING, LTD.



SCHONBEK®

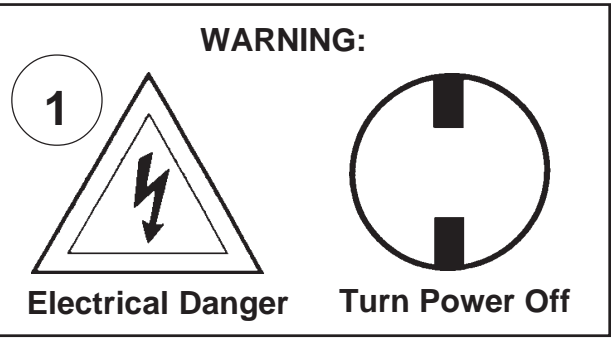


MAX 60 W

110-120 V

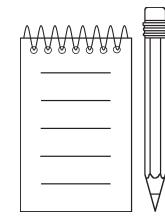
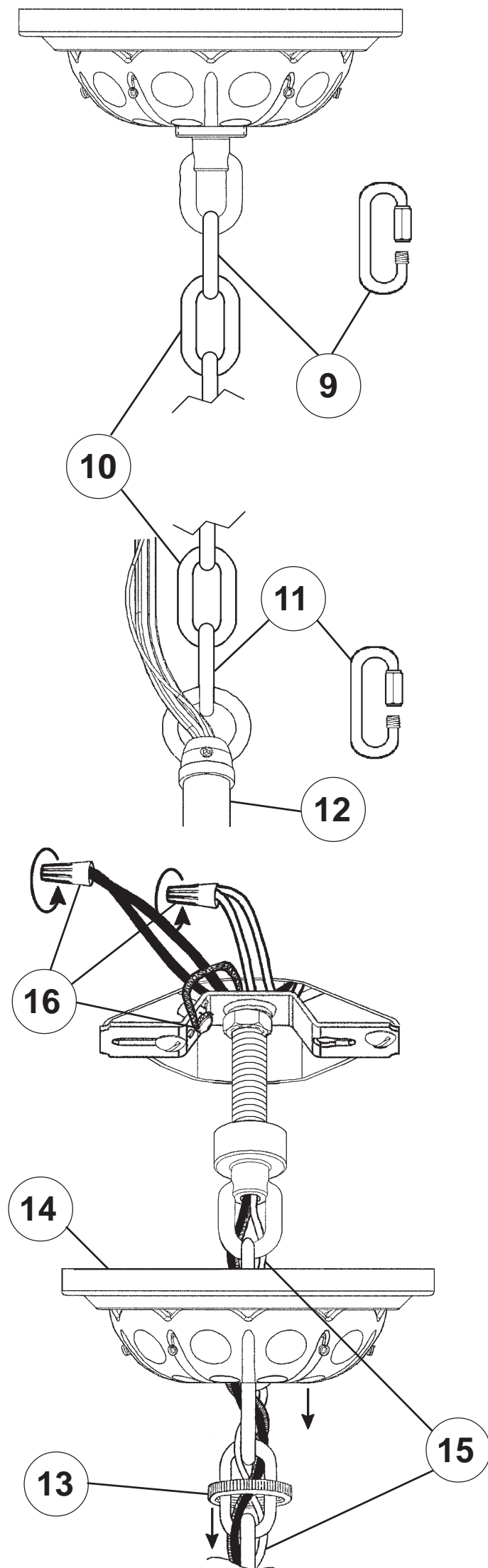
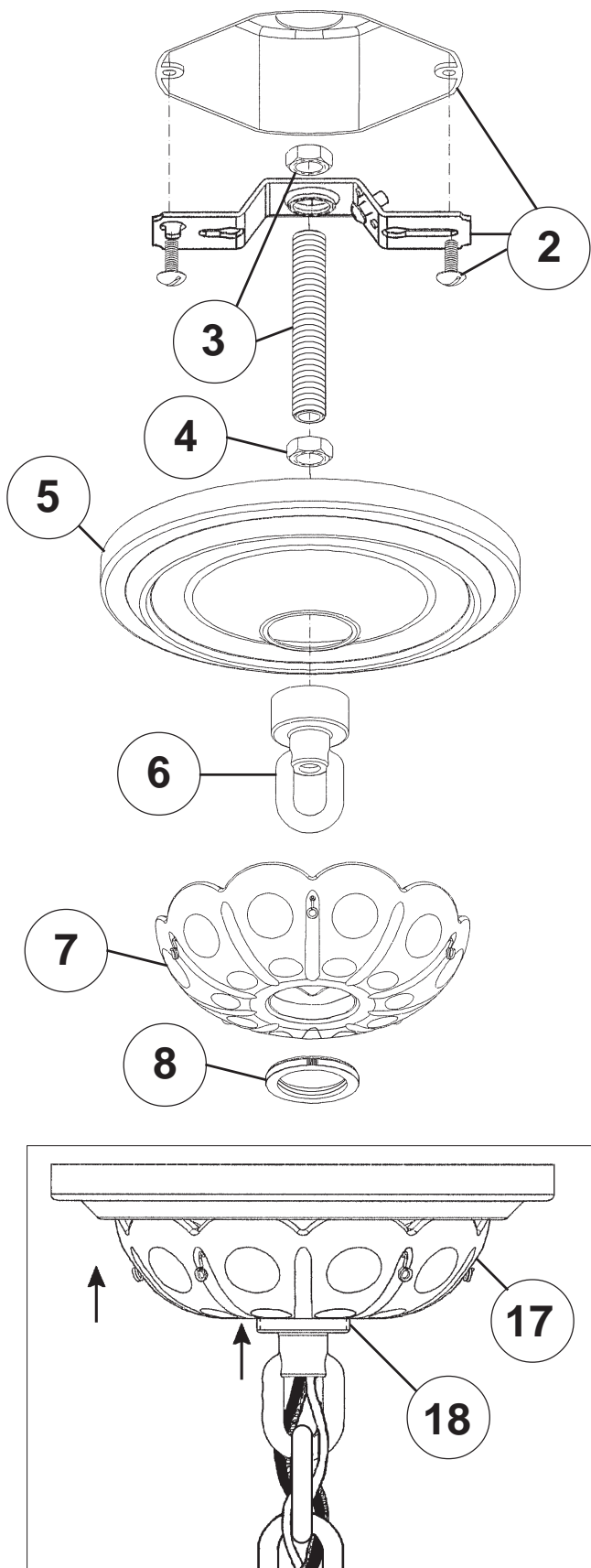
SCHONBEK® is a member of the Swarovski group.

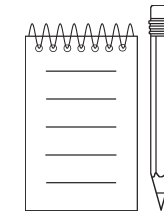
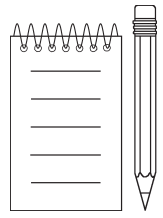
WARNING:

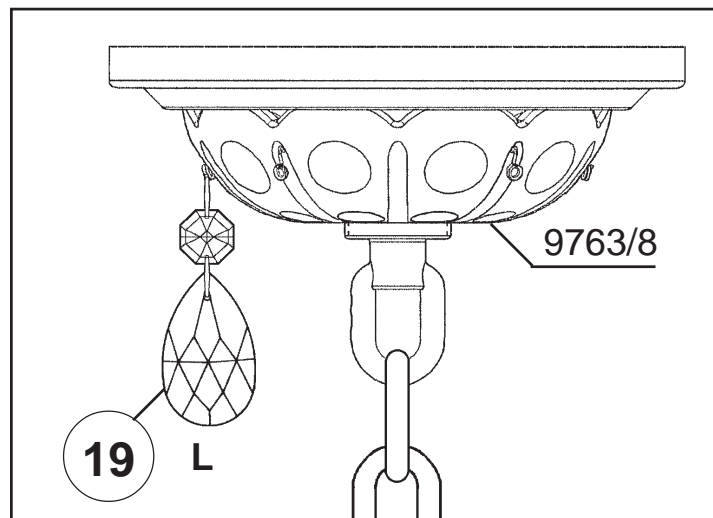
1 

Electrical Danger Turn Power Off

All electrical components must be installed by a licensed electrician in accordance with the National Electric Code and the appropriate local electrical codes.







20

You will need 14 - B10
25 Watts Recommended
60 Watts Max

**Install bulbs and be
sure to test fixture
BEFORE trimming.**

