



CAL LIGHTING

3625 E. Philadelphia St. Ontario CA. 91761 • Tel: 909.947.5200 • Fax:
909.947.5673 • www.calighting.com • service@calighting.com • Specifications
subject to change without notice

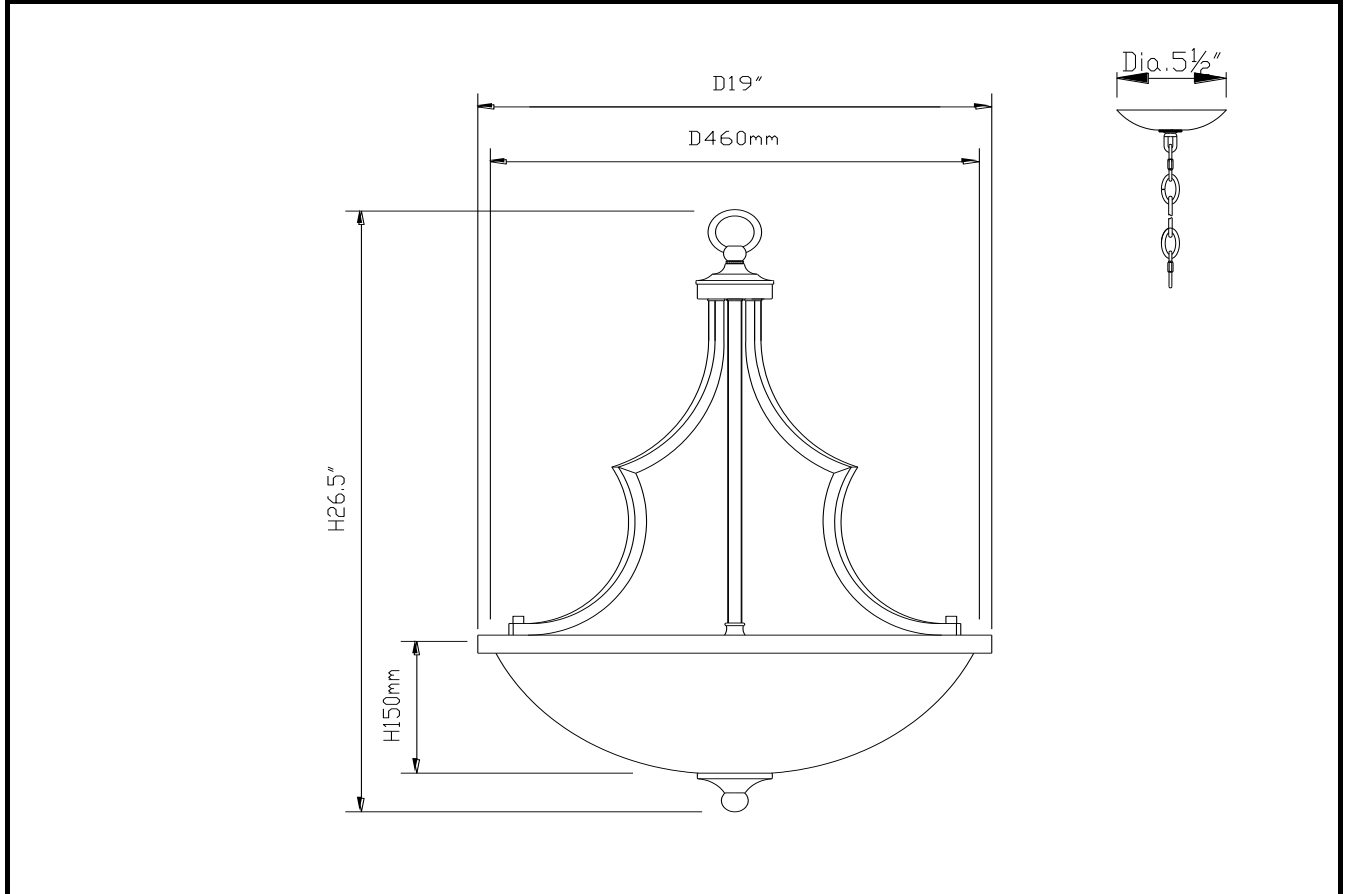
Type: _____

Project: _____

Catalog No.: _____

Lamp/Wattage: _____

Drawing:



Model No: FX-3531/1P
Description: Barrie Metal Pendant Fixture
Material: Metal
Finish : Brushed Steel
Height: 26.5"
Width: 19"
Wattage : 60W x 3
Socket : Medium Base (E26) X 3
Bulb: Incandescent
Chain Length: 6'
Wire Length: 10'
Wire Color: Silver
Shade No:
Material: Glass
Shade size: Dia 18"x 6"
Certificate : 