

INSTALLATION INSTRUCTION FOR 5295

WARNING! SHUT POWER OFF AT FUSE OR CIRCUIT BREAKER .
AVERTISSEMENT! COUPER LE COURANT AU NIVEAU DES FUSIBLES OU DU DISJONCTEUR.

READ AND SAVE THESE INSTRUCTIONS

PREPARATION

1. Shut off the power at the circuit breaker box and, if necessary, remove the old fixture, including the mounting hardware.
2. Carefully unpack your new fixture and lay out all the parts on a clear area. Take care not to lose any small parts necessary for installation.

MOUNTING THE FIXTURE (Fig.1)

3. Position the mounting plate (B) through fixing holes onto wall and make marks, drill pilot holes for wood screws (E) into wall, then insert plastic anchors (A) (Size: 067-1) into holes.
4. Secure mounting plate (B) to junction box (Not provided) with junction box screws (D) (Size: #8-32*0.6"L), then secure to junction box with wood screws (E) (Size: 8#x1"L) into plastic anchors (A) in wall.

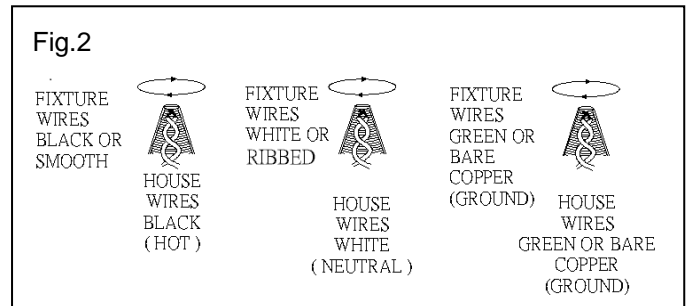
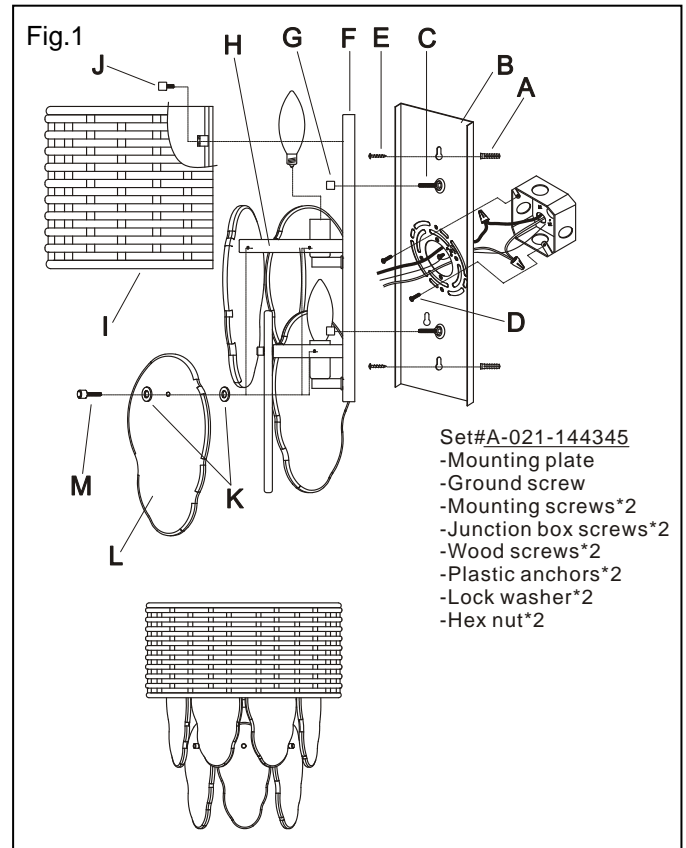
CONNECTING THE WIRES (Fig. 2)

5. Connect the fixture wires to the junction box wires as shown in Fig. 2, making sure all wire connectors are secured. If your outlet box has a ground wire (green or bare copper) connect fixture's ground wire to it. Otherwise, connect fixture's ground wire directly to mounting plate using green screw provided.
6. Tuck connections neatly into the junction box.

COMPLETING THE INSTALLATION (Fig. 1)

7. Mount fixture body (F) to mounting plate (B), and secure with cap nuts (G).
8. Install glass plate (L) onto bracket (H), and secure with washer (K) and screw (M).
9. Install (4) four candelabra base bulbs up to 60 watts each or CFL or LED equivalent (Not included) in accordance with the fixture specification. **(DO NOT EXCEED THE SPECIFIED WATTAGE!) (NE PAS DEPASSER LA PUISSANCE NOMINALE MAXIMALE!)**
10. Install shade (I) onto fixture body (F), and secure with screws (J).

Your installation is now complete. Return the power to the junction box and test the fixture.



Min 90°C supply conductors

