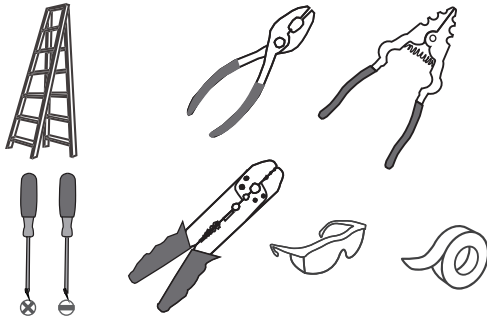
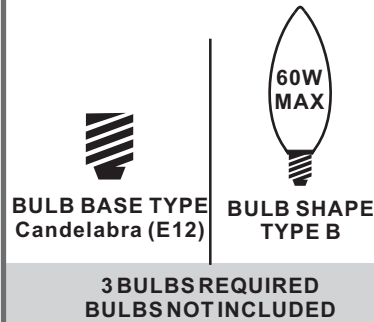


Tools Required



Light Source



**Fixture Height Adjustable
24.75" to 120.75"**

⚠ Warnings and Cautions

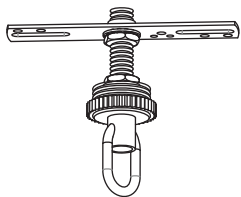
Turn off the electricity at the circuit breaker before installation. Consult a licensed electrician if in doubt about installation.

Turn off power to the fixture and allow the bulbs to cool before replacing.

Package Contents

Preparation: Identify and inspect all parts before beginning the installation.
Missing or damaged parts? Contact your original place of purchase.

PARTS BAG



A Crossbar Assembly x 1



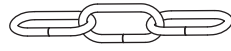
B Outlet Box Screw x 2



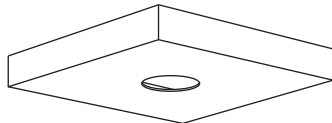
C Wire Connector x 3



D Quick Link x 1



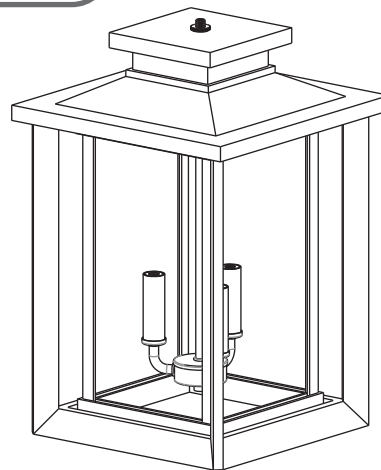
E Fixture Chain x 1



F Ceiling Canopy x 1



G Fixture Loop x 1



H Fixture Body x 1

I Glass Panel x 4

Table of Contents

Glass Panel	Fixture Loop	Crossbar Assembly	Fixture Chain	Wiring	Ceiling Canopy	Bulb
STEP 1	STEP 2	STEP 3	STEP 4	STEP 5	STEP 6	STEP 7

STEP 1

1

Remove cage

2

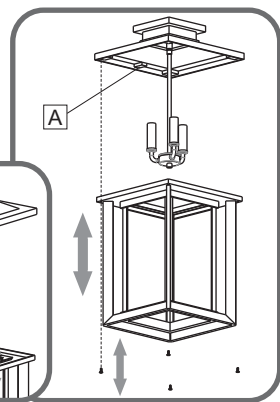
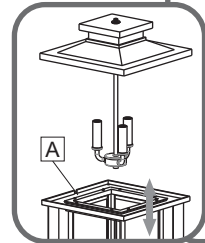
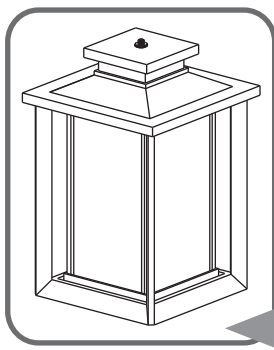
Remove glass panel holder

3

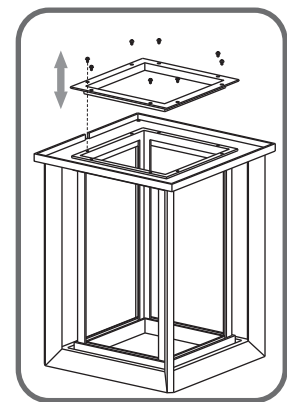
Install glass panel

5

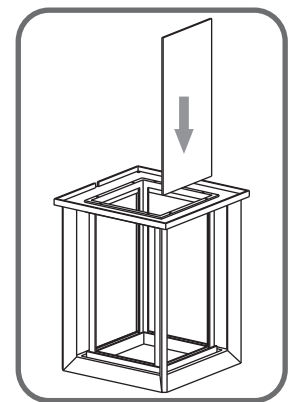
4



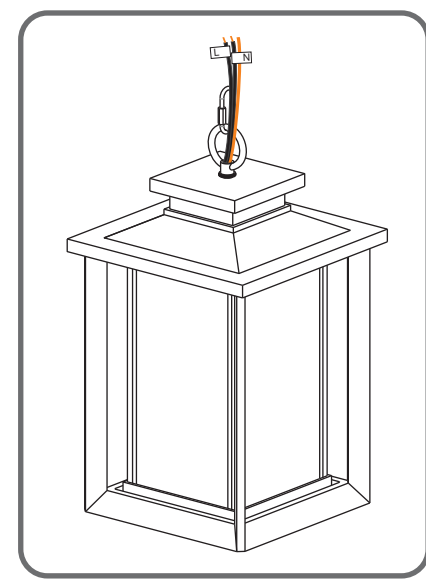
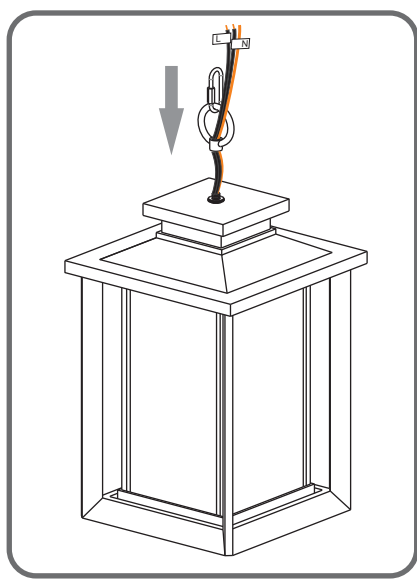
Install cage



Install glass panel holder



STEP 2



STEP 3

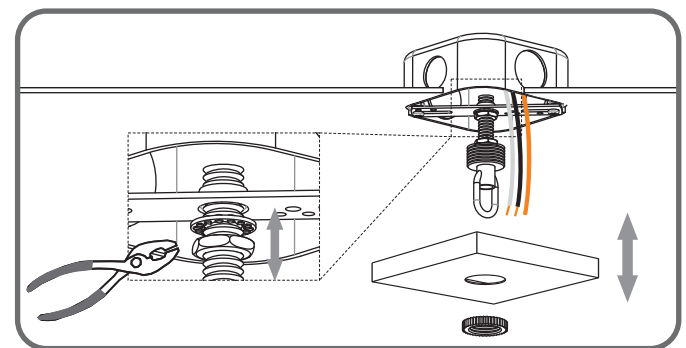
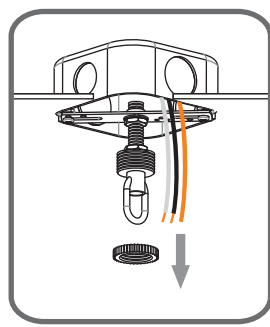
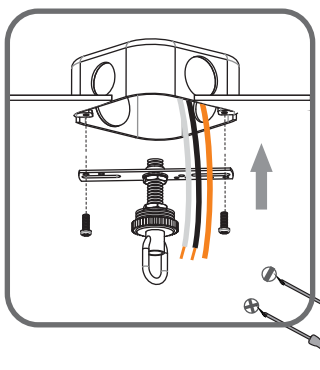
1

Step 1
Install crossbar assembly

2

Step 2 - 3
Test fitting ceiling canopy to nipple

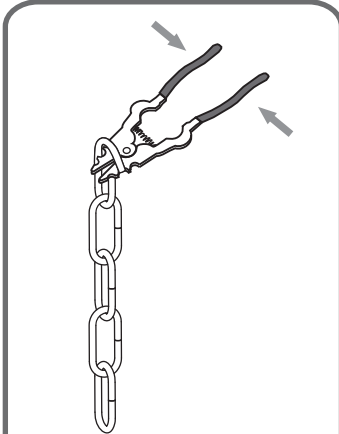
3



STEP 4

1

Step 1
Adjust fixture chain length

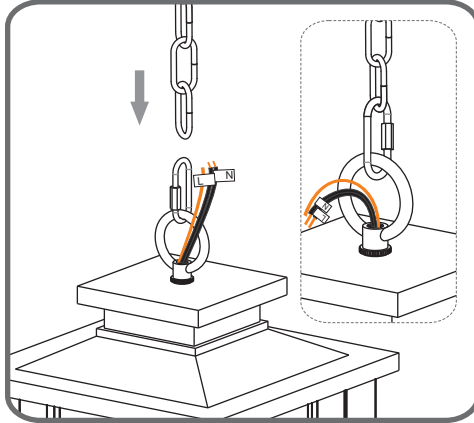


Suggested Chain Length:

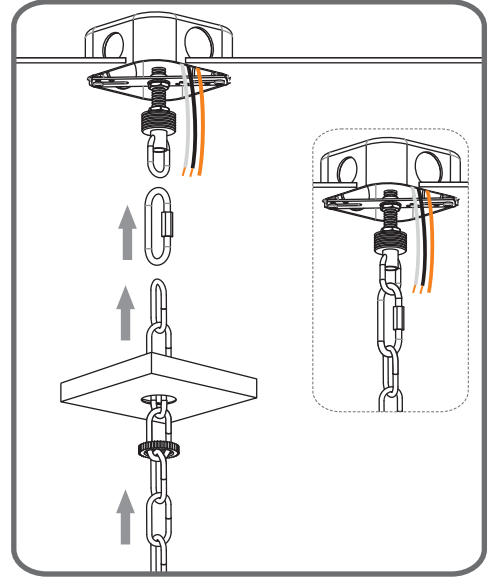
- 8' ceiling: 11" Chain
- 9' ceiling: 23" Chain
- 10' ceiling: 35" Chain

2

Step 2 - 3
Install Fixture Chain



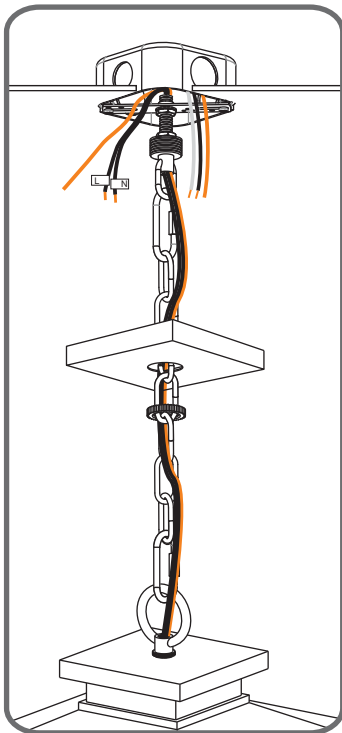
3



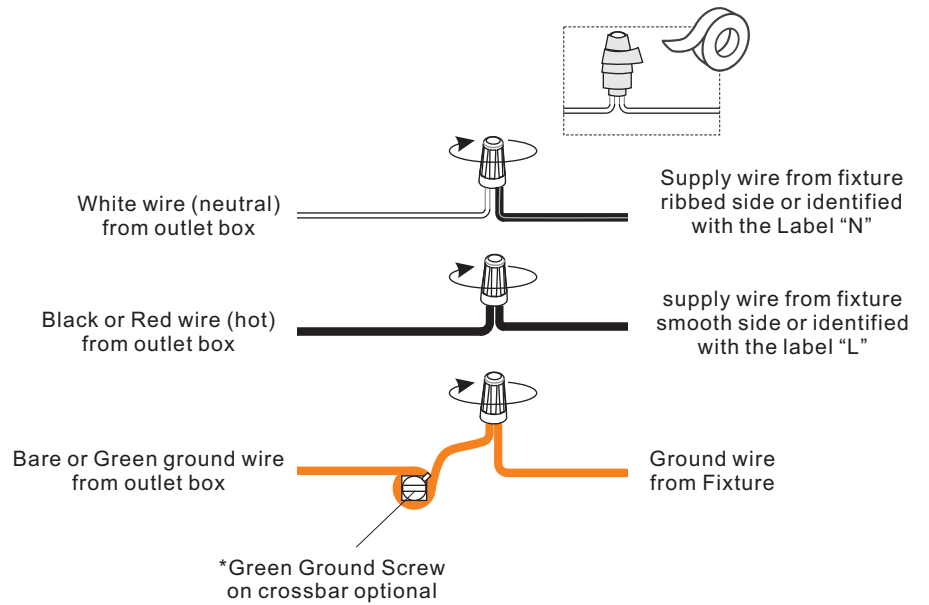
STEP 5

1

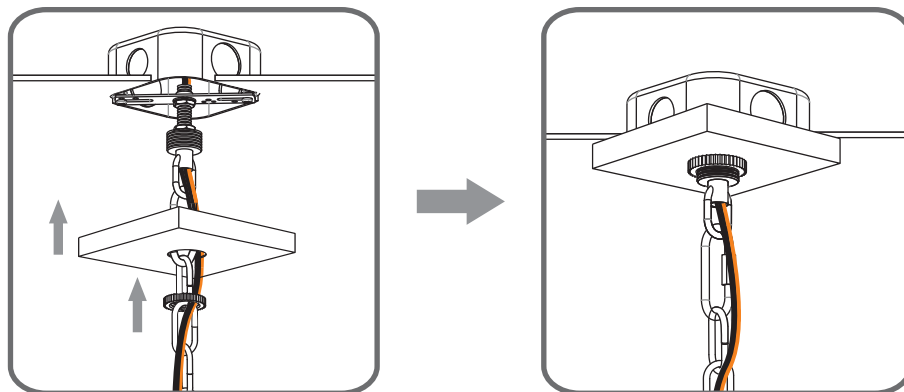
Step 1
Feed the fixture wires through the loop



2



STEP 6



STEP 7

