

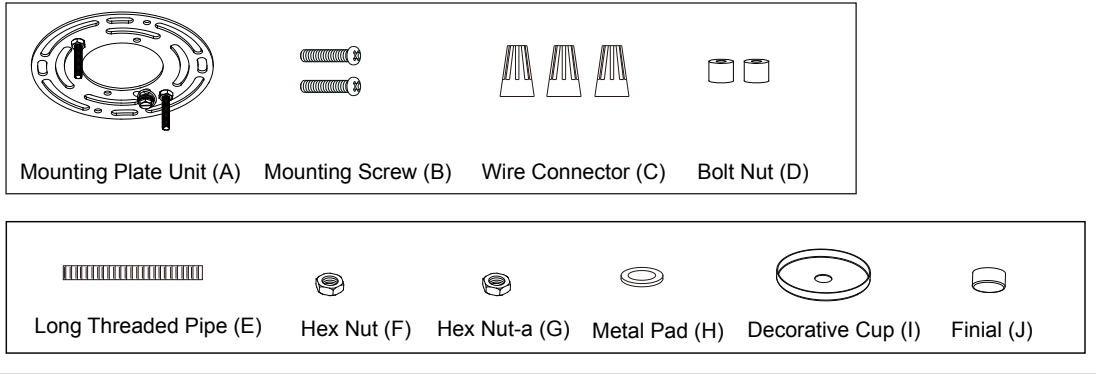
# ASSEMBLY AND INSTALLATION INSTRUCTIONS

C0112 / C0258

**WARNING:** TO AVOID RISK OF ELECTRICAL SHOCK, BE SURE TO SHUT OFF POWER BEFORE INSTALLING OR SERVICING THIS FIXTURE.

**NOTES:** 1. Before installing, consult local electrical codes for wiring and grounding requirements.  
2. READ AND SAVE THESE INSTRUCTIONS.

## Hardware Package (included):



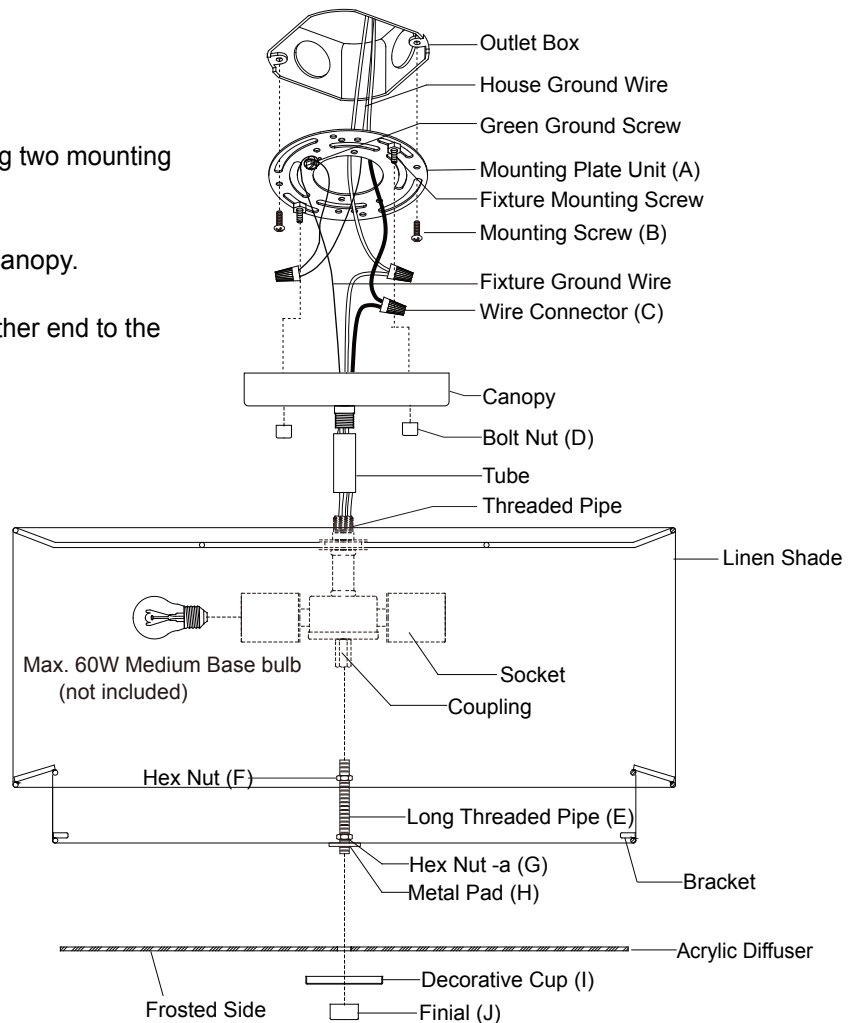
## Installation Steps

Turn off the power at fuse or circuit box

1. Attach mounting plate unit (A) to the outlet box using two mounting screws (B).
2. Thread the fixture wire through the tube and the canopy.
3. Attach one end of the tube to the canopy, and the other end to the threaded pipe of the fixture.
4. Attach the long threaded pipe (E) to coupling, and then secure the preinstalled hex nut (F).
5. Attach the hex nut-a (G) and the metal pad (H) to the long threaded pipe (E), slip the acrylic diffuser and decorative cup (I) up through the long threaded pipe (E), and then secure them with the finial (J).

**NOTE:** The depth of the lower hex nut-a (J) and the metal pad in long threaded pipe may need to be adjusted to properly fit the acrylic diffuser. The acrylic diffuser should be flatly laid on three brackets, and the frosted side of the acrylic diffuser should be faced down.

6. Install 4 x 60W Max. medium base bulbs (not included). Check relamping label at socket area or packaging for maximum wattage allowed.



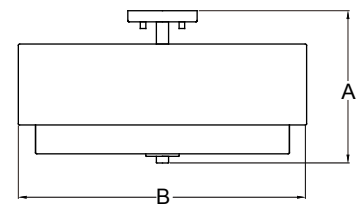
7. Pull out the source wires from the outlet box. Make wire connections using wire connectors (C) as follows:
  - Connect the hot wire (black insulation) from the fixture to the black wire from the power source.
  - Connect the neutral wire (white insulation) from the fixture to the white wire from the power source.
  - Attach the fixture ground wire (green insulation or bare wire) to the mounting plate unit (A) with the green ground screw, and then connect it to the house ground wire with the wire connector (C).
 Carefully put all of the wires back into the outlet box.
8. Attach the canopy to the mounting plate unit (A) by inserting the fixture mounting screws, and then secure it with two bolt nuts (D).

**Turn on the power at fuse or circuit box**

**The following parts are available for reorder if damaged or missing.**

**Spare Parts List:**

The diagram shows a list of spare parts organized into three sections. The first section includes a Mounting Plate Unit (A), Mounting Screws (B), Wire Connectors (C), and Bolt Nuts (D). An arrow points to a 'Mounting Hardware' kit with two options: 5454MM (1 SET) for C0112 and 6443MM (1 SET) for C0258. The second section includes a Long Threaded Pipe (E), Hex Nut (F), Hex Nut-a (G), Metal Pad (H), Decorative Cup (I), and Finial (J). An arrow points to an 'Assembly Kit' with two options: 5455AA (1 SET) for C0112 and 6444AA (1 SET) for C0258. The third section shows a Linen Shade (1107S) and an Acrylic Diffuser (7195PP).



**A: 10-3/4"**

**B: 20-1/2"**

### 1 Year Warranty

Vaxcel warrants all of our products against defects in workmanship and finishes for one year following the date of shipment.

*Exclusions: This warranty does not include the failure of products from extreme acts of nature; environmental conditions not suited for the products intended use; operation in temperatures outside of the range specified in the instruction manual; usage with improper power supply, power surges or dips. For coastal locations, some corrosion is considered normal for the environment.*

*Vaxcel reserves the right to repair, replace or issue a credit for any properly installed product, provided it is returned per RMA instruction. This warranty is limited to the cost of the product only and does not extend to transportation, installation or replacement costs.*

How can warranty service be obtained?

info@vaxcel.com  
1-800-482-9235