

SHELTER

1321BK

LARGE POST TOP OR PIER MOUNT LANTERN

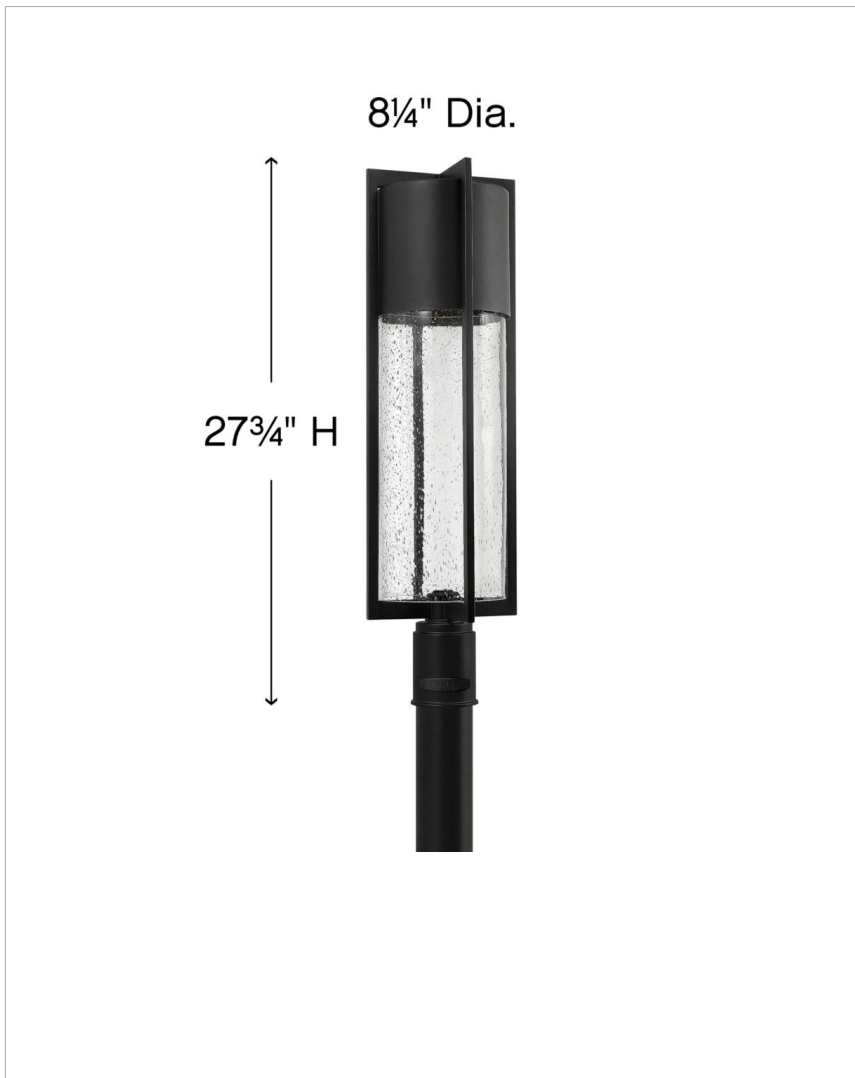
Shelter's minimalist style in aluminum creates a chic, dramatic statement as the light from above grazes through its clear seedy glass. Shelter comes standard Dark Sky compliant.

DETAILS	
FINISH:	Black
MATERIAL:	Aluminum
GLASS:	Clear Seedy
DIMMABLE:	YES, CL TYPE DIMMER (SSL7A)

DIMENSIONS	
WIDTH:	8.3"
HEIGHT:	27.8"
WEIGHT:	7lb

LIGHT SOURCE	
LIGHT SOURCE:	Socketed
LED NAME:	6.5WR20-30K
WATTAGE:	1-6.50w Med. LED *Included, 50w Equiv.
VOLTAGE:	120v
COLOR TEMP:	3000
CRI:	90
INCANDESCENT EQUIVALENCY:	1 x 50w
DIMMABLE:	YES, CL TYPE DIMMER (SSL7A)

SHIPPING	
CARTON LENGTH:	17.5
CARTON WIDTH:	10
CARTON HEIGHT:	30.8
CARTON WEIGHT:	9.7



PRODUCT DETAILS:

- Suitable for use in wet (outdoor direct rain) locations as defined by NEC and CEC. Meets United States UL Underwriters Laboratories & CSA Canadian Standards Association Product Safety Standards
- Fixture is Dark Sky compliant and engineered to minimize light glare upward into the night sky
- Reflector type or Par type bulb recommended
- 2-year finish warranty
- Bold lines and a clean, minimalist style complement contemporary architecture

HINKLEY

HINKLEY
33000 Pin Oak Parkway
Avon Lake, OH 44012

PHONE: (440) 653-5500
Toll Free: 1 (800) 446-5539

hinkley.com