



CAL LIGHTING

3625 E. Philadelphia St. Ontario CA. 91761 • Tel: 909.947.5200 • Fax:
909.947.5673 • www.calighting.com • service@calighting.com •
Specifications subject to change without notice

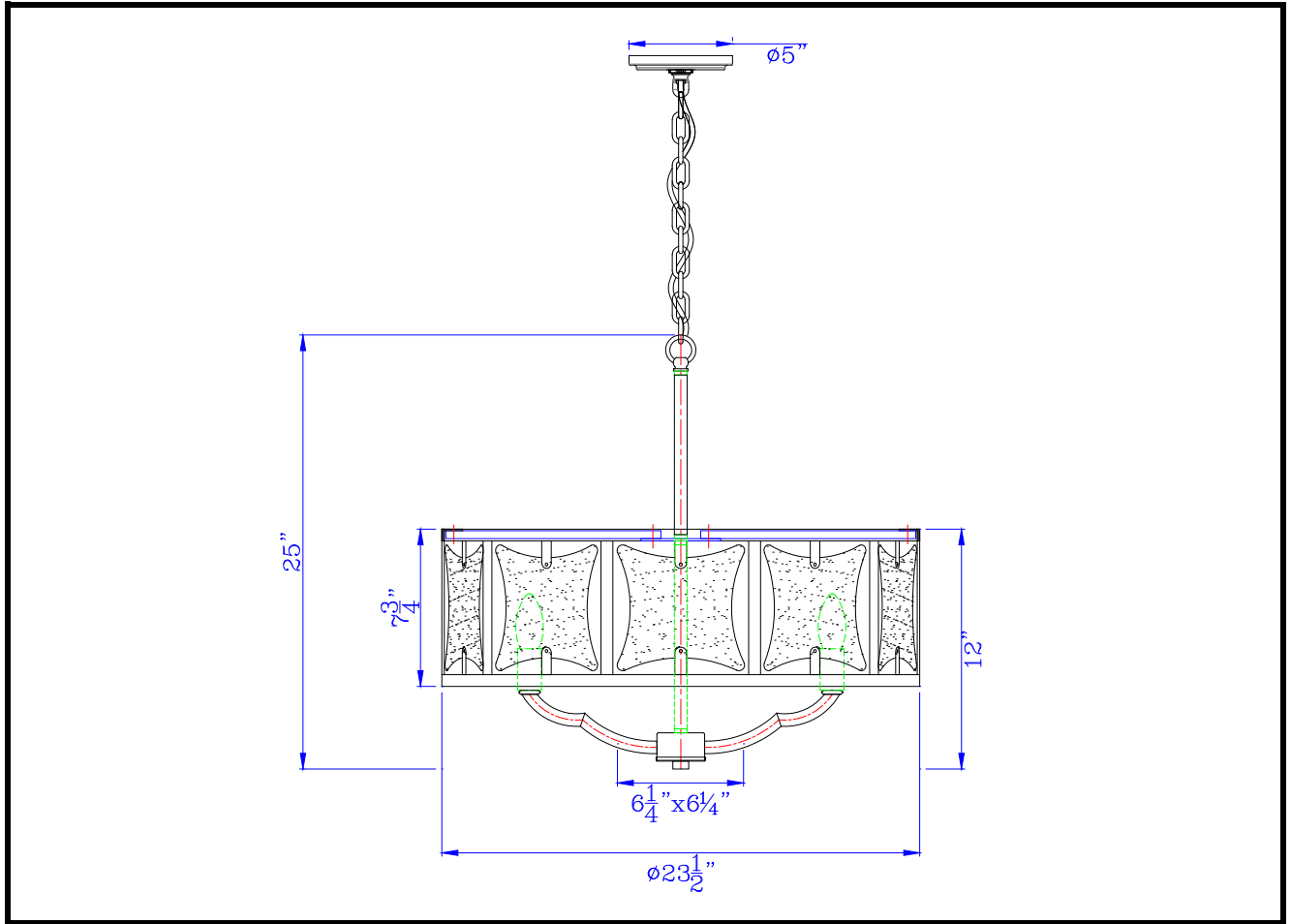
Type: _____

Project: _____

Catalog No.: _____

Lamp/Wattage: _____

Drawing:



Model No: FX-3677-6
Description: 60W x 6 Revenna forged iron chandelier with hand crafted glass
Material: Metal
Finish : Black
Height: 25"
Width: 23 1/2"
Wattage : 60W x 6
Socket : Candelabra Base (E12)
Bulb: Incandescent
Chain Length: 6'
Wire Length: 10'
Wire Color: Black
Shade No: None
Material: Glass
Shade size: 6 1/4"x6 1/4"

Certificate : 