
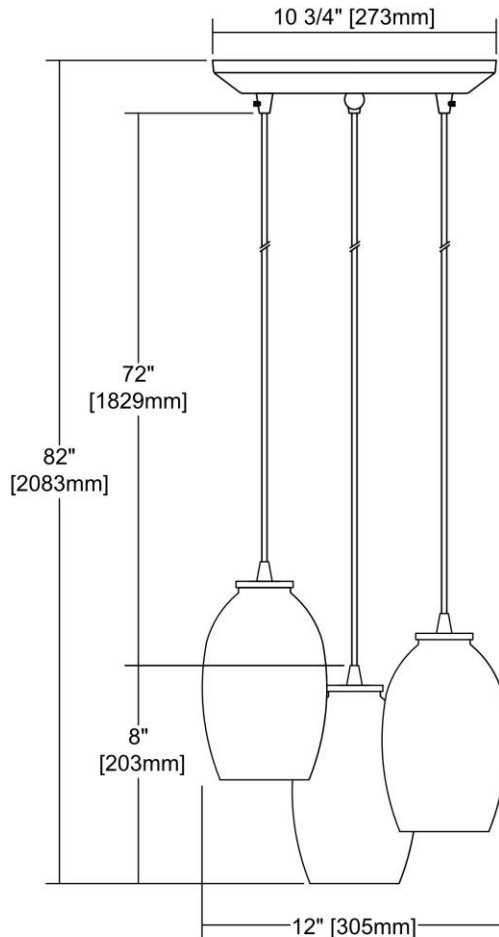


|   |                    |  |
|---|--------------------|--|
|  | <b>ITEM #:</b>     | 10930/3  |
|   | <b>UPC</b>         | 748119124124   |
|   | <b>Description</b> | Villiska 3-Light Triangular Pendant Fixture in Satin Nickel with Peach Blown Glass |
|   | <b>Finish</b>      | Satin Nickel   |
|   | <b>Materials</b>   | Glass, Metal   |
|   | <b>Brand</b>       | ELK Lighting   |
|   | <b>Collection</b>  | Villiska   |
|   | <b>Category</b>    | Indoor Lighting  |
|   | <b>Type</b>        | Mini Pendant   |

| ITEM DIMENSIONS              |           |  |             | RATINGS & SPECIFICATIONS        |                               |                |                        |                       |
|------------------------------|-----------|--|-------------|---------------------------------|-------------------------------|----------------|------------------------|-----------------------|
| <b>Width</b>                 | 12 inches |  |             | <b>Safety Rating</b>            | N/A                           |                | <b>Certification</b>   | N/A                   |
| <b>Depth</b>                 | 12 inches |  |             | <b>ADA Compliant</b>            | N/A                           |                | <b>Voltage</b>         | N/A                   |
| <b>Height</b>                | 8 inches  |  |             | <b>BULBS / SOCKETS</b>          |                               |                |                        |                       |
| <b>Weight</b>                | 7 pounds  |  |             | <b>Quantity</b>                 | 3                             | <b>Wattage</b> | 60 watts               |                       |
| <b>ADDITIONAL DIMENSIONS</b> |           |  |             | <b>Included</b>                 | No                            |                | <b>Type</b>            | A19 (E26 Medium Base) |
| <b>Backplate / Canopy</b>    | 10x10     |  |             | <b>Other</b>                    | N/A                           |                |                        |                       |
| <b>HCWO</b>                  | N/A       |  |             | <b>CHAIN / CORD INFORMATION</b> |                               |                |                        |                       |
| <b>Min. Extension</b>        | N/A       |  |             | <b>Chain</b>                    | N/A                           |                | <b>Cord</b>            | N/A                   |
| <b>Max. Extension</b>        | N/A       |  |             | <b>SHADE / GLASS DETAILS</b>    |                               |                |                        |                       |
| <b>OVERALL HEIGHT</b>        |           |  |             | <b>Shade/Glass Description</b>  | Peach Grey-plated Blown Glass |                |                        |                       |
| <b>Min.</b>                  | N/A       |  | <b>Max.</b> | N/A                             |                               |                |                        |                       |
| <b>EXTENSION ROD(S)</b>      |           |  |             | <b>Width</b>                    | N/A                           |                | <b>Height</b>          | N/A                   |
| N/A                          |           |  |             | <b>Width at Top</b>             | N/A                           |                | <b>Width at Bottom</b> | N/A                   |



Rev. 5/9/2019