

TEAR SHEET



Grenol Buffet Lamp

Item # S 3177PN-PL

Designer: Studio VC

Height: 32.5"

Width: 7.25"

Base: 6" Square

Finishes: BZ, HAB, PN

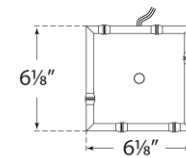
Shade Treatments: PL

Shade Details: 5.75" x 7.25" x 8"

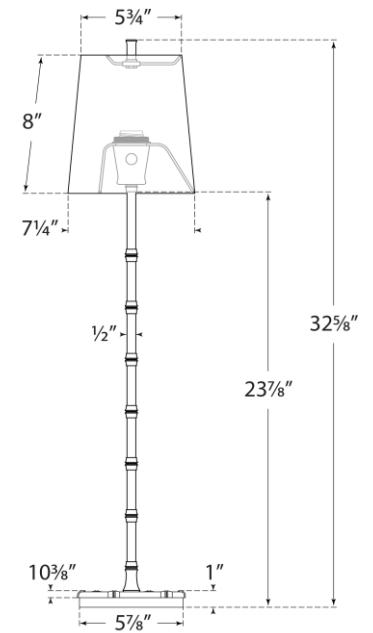
Socket: E26 Dimmer

Wattage: 40 B11

Weight: 7 Pounds



Bottom View



Side View