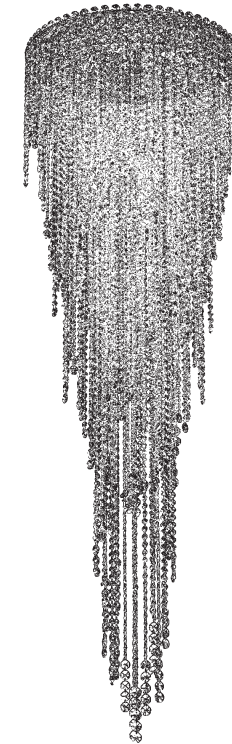




SCHONBEK®

CHANTANT
CH2403N- __ __ H



THIS DESIGN IS THE PROPRIETARY
TRADE DRESS/TRADE MARK OF
SWAROVSKI LIGHTING, LTD.

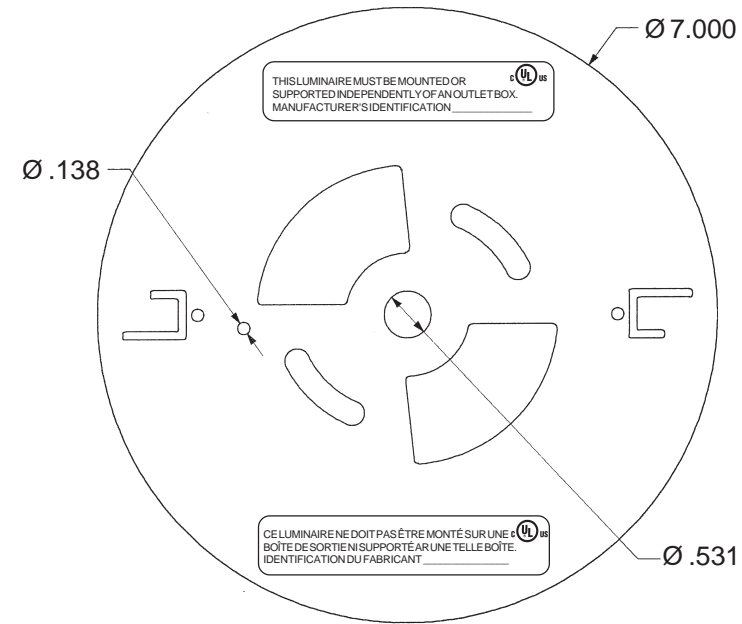
6 Lights
Diameter: 24"
Height: 79-1/2"
Hanging Weight: 54lbs.



SCHONBEK®

MAX <u>35</u> W		110-120 V					

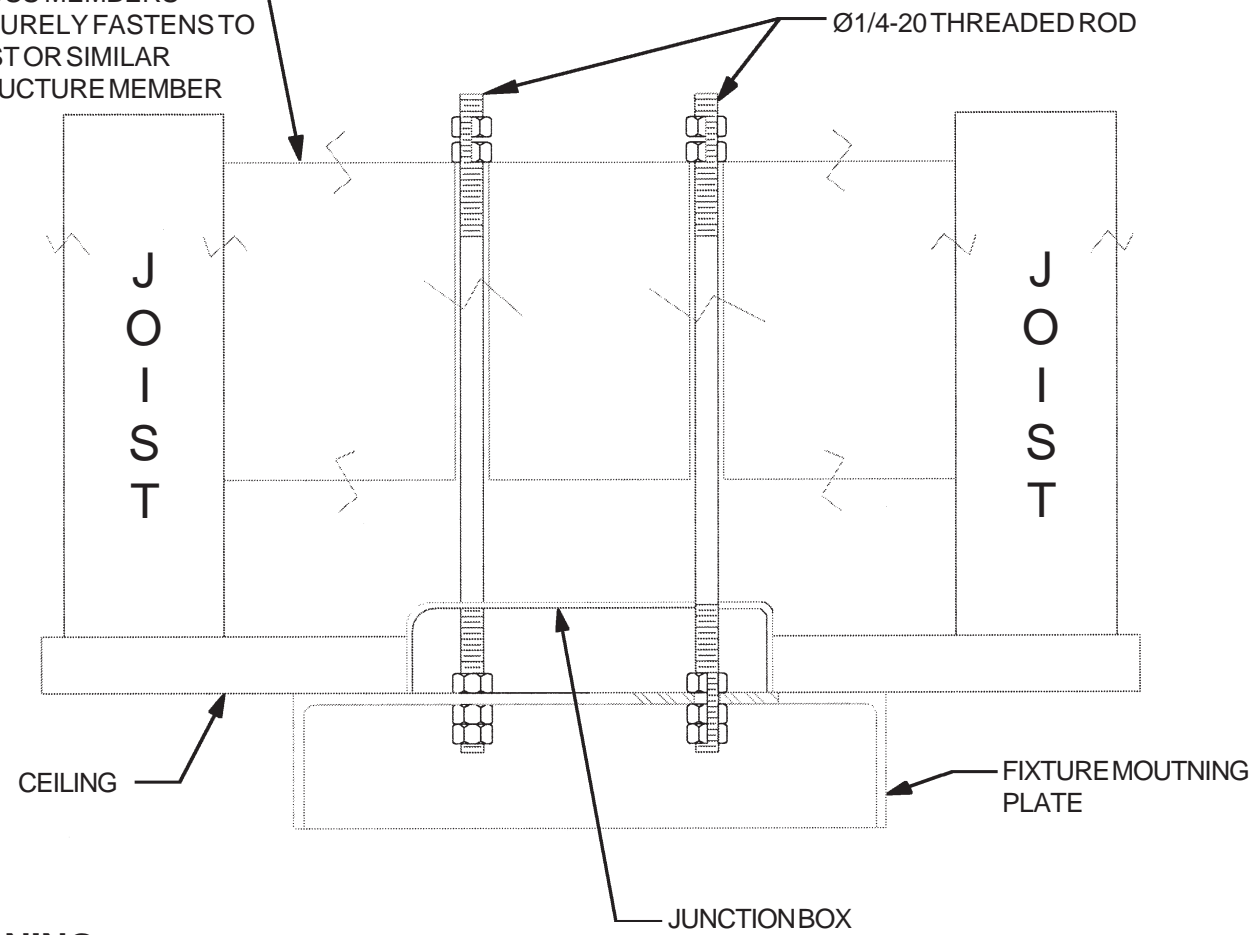
NOTE: INSTALLER IS SOLELY RESPONSIBLE FOR PROPER MOUNTING!



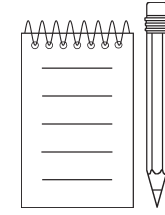
PLAN VIEW OF MOUNTING BRACKET

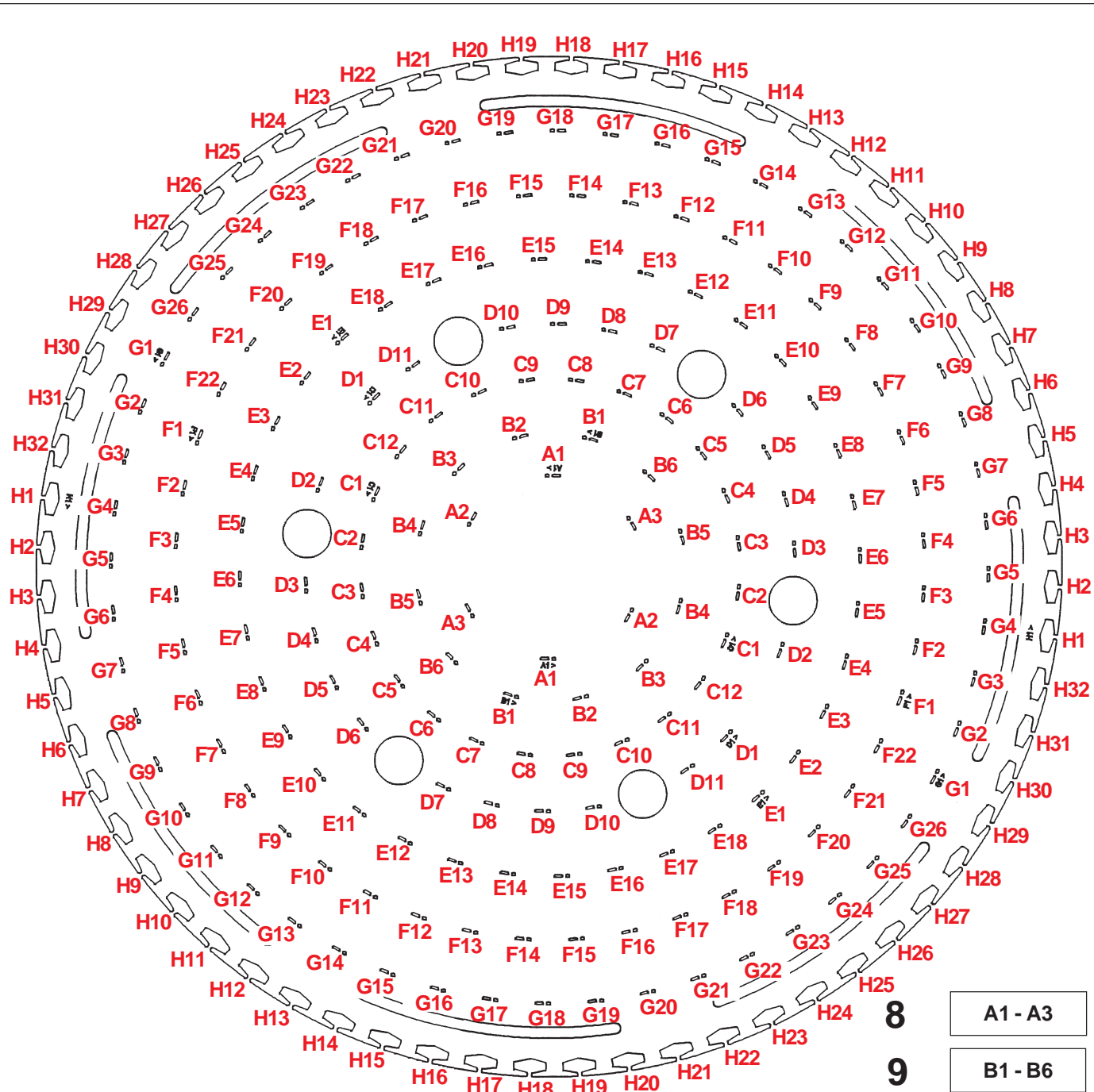
CROSS MEMBERS
SECURELY FASTEN TO
JOIST OR SIMILAR
STRUCTURE MEMBER

$\varnothing 1/4-20$ THREADED ROD

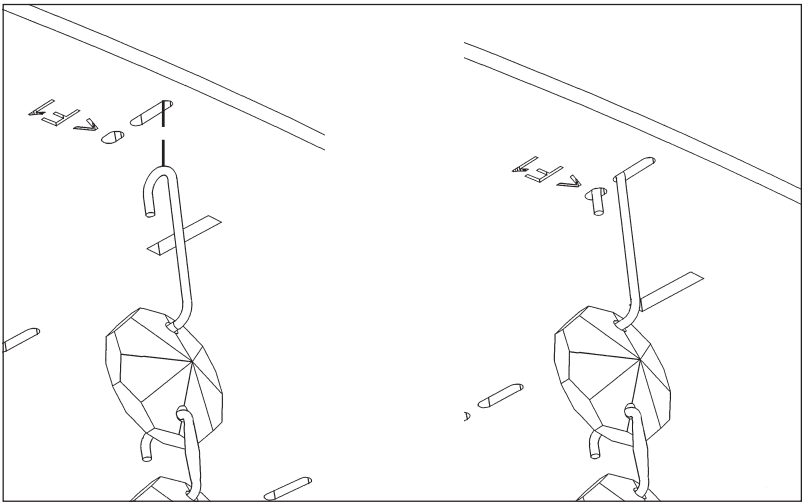


WARNING:
MOUNTING CONFIGURATION AND HARDWARE MUST HOLD 4X THE WEIGHT OF THE FIXTURE. MOUNTING DESIGN AND FIXTURE INSTALLATION SHOULD BE CONDUCTED BY A QUALIFIED LICENSED PROFESSIONAL.





- 8** A1 - A3
- 9** B1 - B6
- 10** C1 - C12
- 11** D1 - D11
- 12** E1 - E18
- 13** F1 - F22
- 14** G1 - G26
- 15** H1 - H32



After hanging all trim, remove labels from crystals. If residue remains, wipe off crystal with a soft, dry cloth.

