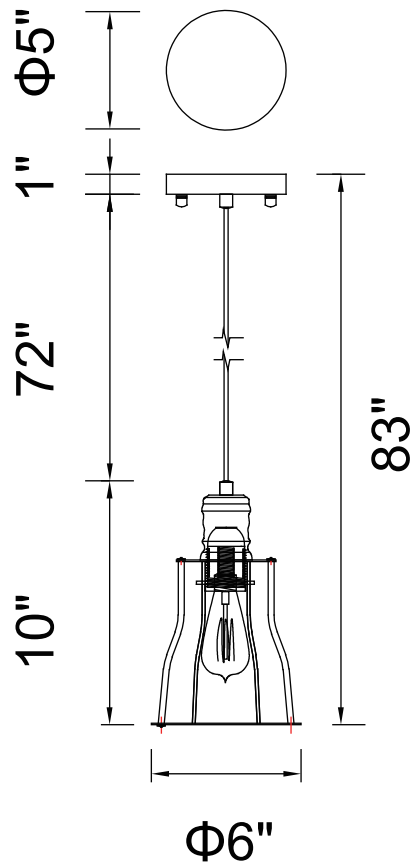


PROJECT: \_\_\_\_\_

FIXTURE TYPE: \_\_\_\_\_

LOCATION: \_\_\_\_\_

CONTACT/PHONE: \_\_\_\_\_



|            |                 |
|------------|-----------------|
| Item       | 9609P6-1-101    |
| Collection | GRAHAM          |
| Finish     | Black           |
| Glass      | -----           |
| Crystal    | -----           |
| Input      | 120V AC,60HZ,AC |

|             |       |
|-------------|-------|
| Shade       | ----- |
| Length/Dia. | 6"    |
| Width/Ext.  | ----- |
| Height      | 10"   |
| Maximum     | 83"   |
| Lumens      | ----- |

|              |       |
|--------------|-------|
| Light Source | E26   |
| Bulb Info.   | 1×60W |
| Included     | ----- |
| Dimmable     | Yes   |
| Color        | ----- |
| Weight       |       |