

SAFETY INFORMATION

Released Date: 2020-12-02

Please read and understand this entire manual before attempting to assemble, install or operate the product.

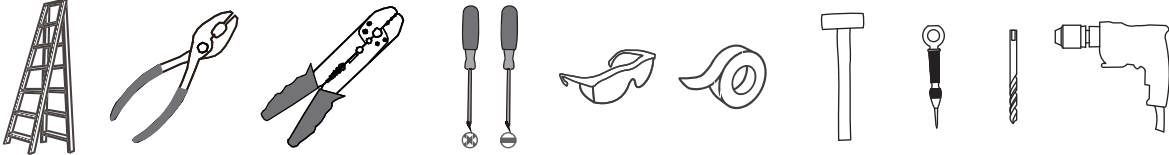
WARNING

- RISK OF ELECTRIC SHOCK - Before beginning installation, turn off electricity at the circuit breaker box or the main fuse box.
- RISK OF FIRE - Use bulbs specified by the markings and/or labels on the fixture.

CAUTION

- For your safety, read instructions completely before beginning installation.
- If in doubt about electrical installation, consult a licensed electrician.
- Turn off electricity to fixture before replacing the bulb(s).

TOOLS REQUIRED

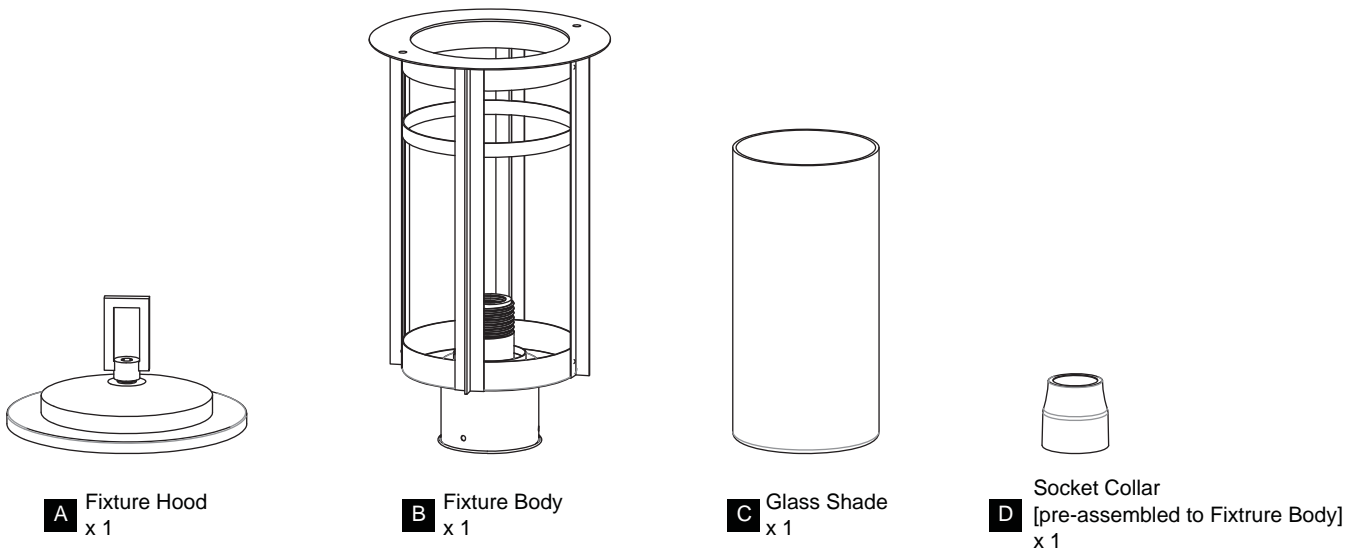


CARE AND MAINTENANCE

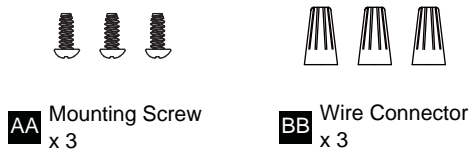
- Wipe clean using soft, dry cloth or static duster. Always avoid using harsh chemicals and abrasives to clean fixture as they may damage the finish.

If you need further assistance call Quozel Customer Care at 1-800-645-3184 (9:00am – 5:00pm EST), or visit us on-line at www.quozel.com.

PACKAGE CONTENTS

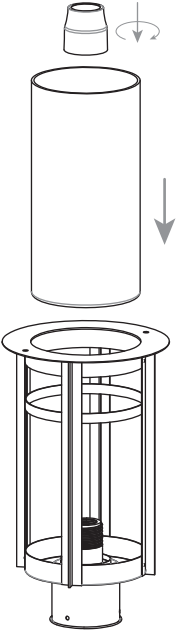


MOUNTING HARDWARE



SAFETY INFORMATION

1 Install Glass Shade





The diagram shows a cylindrical glass shade being lowered onto a metal fixture base. A downward arrow indicates the direction of movement.

2 Install Bulb

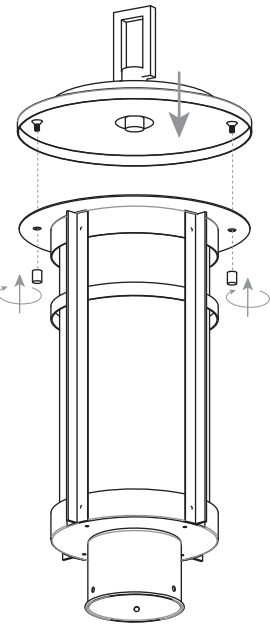
Install the correct bulb referring to fixture markings and/or labels for maximum wattage.

Recommended Bulb type (not included):

	
BULB BASE TYPE Medium (E26)	BULB SHAPE TYPE A

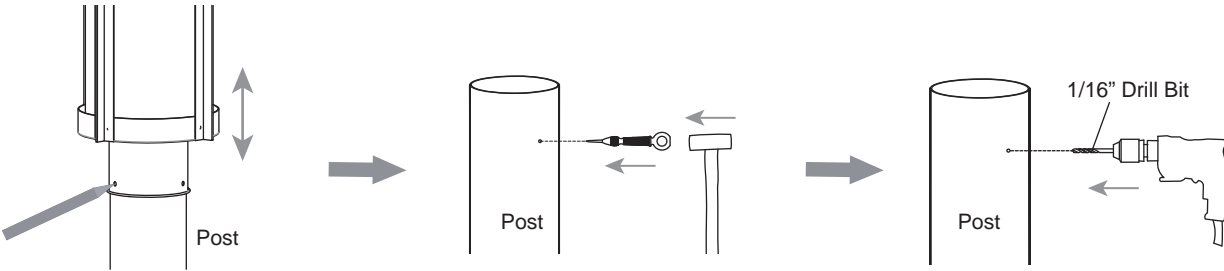
The diagram shows a light bulb with '100W MAX' written on it. Below it are two icons: a medium (E26) base and a Type A shape.

3 Install Fixture Hood



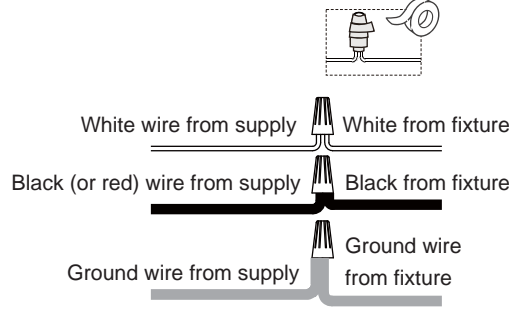
The diagram shows a circular fixture hood being lowered onto a cylindrical fixture body. Arrows indicate the hood is pushed down and then secured.

4 Drill Mounting Holes on Post



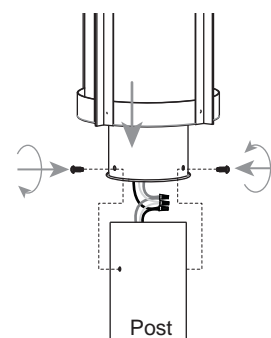
The diagram shows a three-step process: 1. A post with a mounting bracket. 2. A hand drill with a 1/16" drill bit being used to drill a hole into the post. 3. The completed post with two holes.

5 Wiring



The diagram shows three types of wire connections: White wire from supply connected to White from fixture; Black (or red) wire from supply connected to Black from fixture; and Ground wire from supply connected to Ground wire from fixture.

6 Install Fixture Body



The diagram shows a rectangular fixture body being attached to the post. Arrows indicate the body is pushed onto the post and then secured.

Your installation is now complete! Restore electricity and save this sheet for future reference.