

WARNING:

This fixture is intended for installation in accordance with the National Electrical Code (NEC) and all local code specifications. If you are not familiar with code requirements, installation by a certified electrician is recommended.

elk HOME

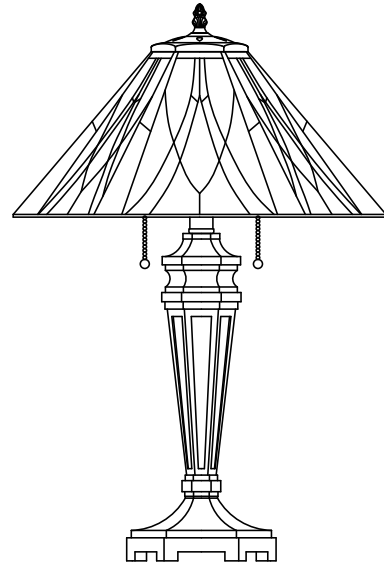
ANY QUESTIONS CALL: 800-613-3261
M-F 8:00AM-6:00PM ET

CAUTION: To prevent shock, only plug in lamp after lamp assembly is complete.

WARNING: This portable lamp has a polarized plug (one blade is wider than the other). As a safety feature, this plug will fit in a polarized outlet only one way. If the plug does not fit fully in the outlet, reverse the plug. If it still does not fit, contact a qualified electrician. Never use with an extension cord unless plug can be fully inserted. Do not attempt to work around this safety feature.

Before assembly, remove all parts and part packages from box. If anything is missing, please contact the retailer from which the product was purchased.

ITEM#: D4085



1. Hold pipe (B) so end with bead is at the top. Screw bottom of pipe (B) into center of socket cluster (A).
2. Pass hole in center of washer (C) over top of pipe (B).
3. Lower shade (D) down over pipe (B). Pass hole in top of shade over top of pipe (B).
4. Carefully screw finial (E) onto end of pipe (B). Tighten finial (E) to secure shade (D) in place. DO NOT over tighten.
5. Insert recommended bulbs (not included) into sockets (A). **WARNING:** Verify correct bulb wattage marked on socket of lamp. DO NOT exceed maximum bulb wattage.

