

CRYSTORAMA



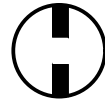
LIGHTING THE WAY FOR SIXTY YEARS

ASSEMBLY INSTRUCTION MODEL #5111-VB

WARNING:

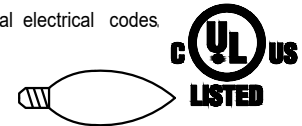


Electrical Danger



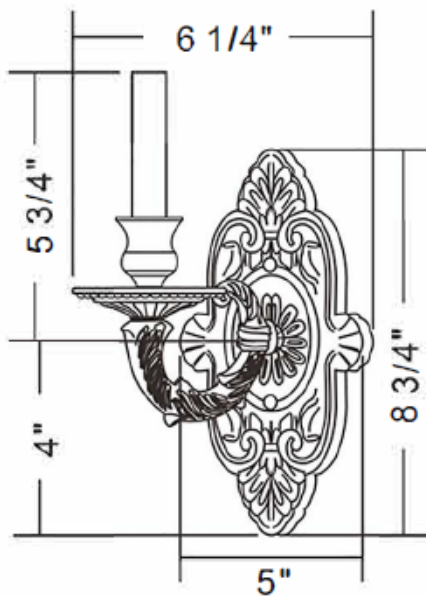
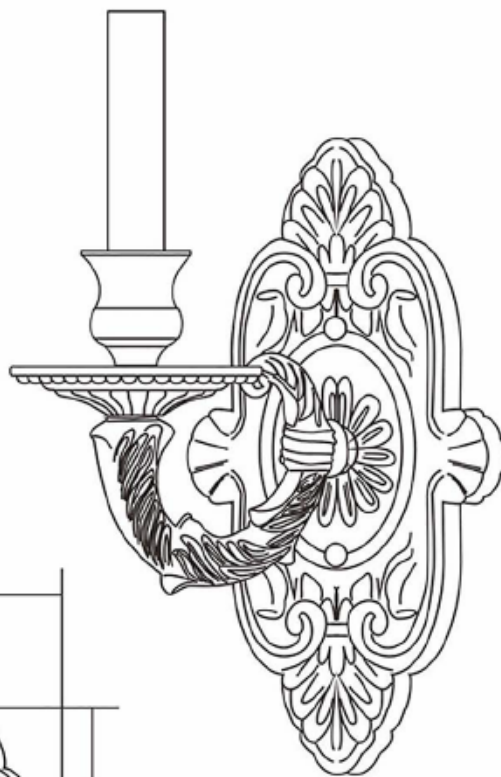
Turn Power Off

All electrical components must be installed by a licensed electrician in accordance with the National Electric Code and the appropriate local electrical codes.



You will need 1- Candelabra Base Bulb
40 Watts recommended 60 Watts Max.
USE LED BULBS FOR EXTENDED USE

The fixture is Damp rated



HOW TO INSTALL:

Place the fixture parts on a soft cloth-covered platform before installation of fixture.

1. Install the crossbar onto the outlet box.
2. Place the backplate over the crossbar and secure with the ball nuts.
3. Place the Metal candle sleeve over the socket.

WARNING: This product can expose you to Lead, which is known to the State of California to cause cancer and/or birth defects or reproductive harm. For more information go to www.p65warnings.ca.gov

CRYSTORAMA



LIGHTING THE WAY FOR SIXTY YEARS

ASSEMBLY INSTRUCTION MODEL #5111-VB

Part Number

Part Numbers

- A. (1)-Mounting hardware
 - Crossbar x1.
 - Wire connector x2.
 - Hex nut x2.
 - Screw x4.
- B. (1)-Fixture body kit
 - Backplate x1 ; W6 1/2",H9 1/2".
 - 3.5"Arm x1.
 - Ø3 1/8" Bobeche x1 ; 4pin,10.3mm center hole
- C. (1)-Metal candle sleeve ; H3 1/4"
XSN5021VBCDL3.25IN
- D. (1)-White PVC candle sleeve
XSN5021WHCDL3.25IN
- E. (2)-Ball nut

(Bulb not included)

