

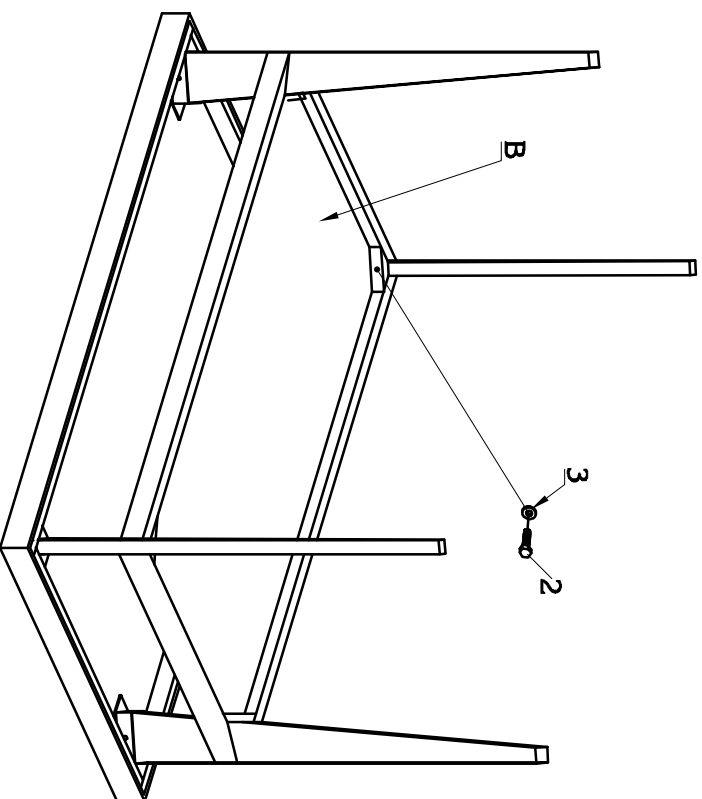
## HARDWARE CHECKLIST

| No: | HARDWARES  | PICTURE | Q.TY |
|-----|------------|---------|------|
| 1   | Bolts 8x20 |         | 8    |
| 2   | Bolts 8x50 |         | 4    |
| 3   | Washers    |         | 12   |
| 4   | Key 1/2    |         | 1    |

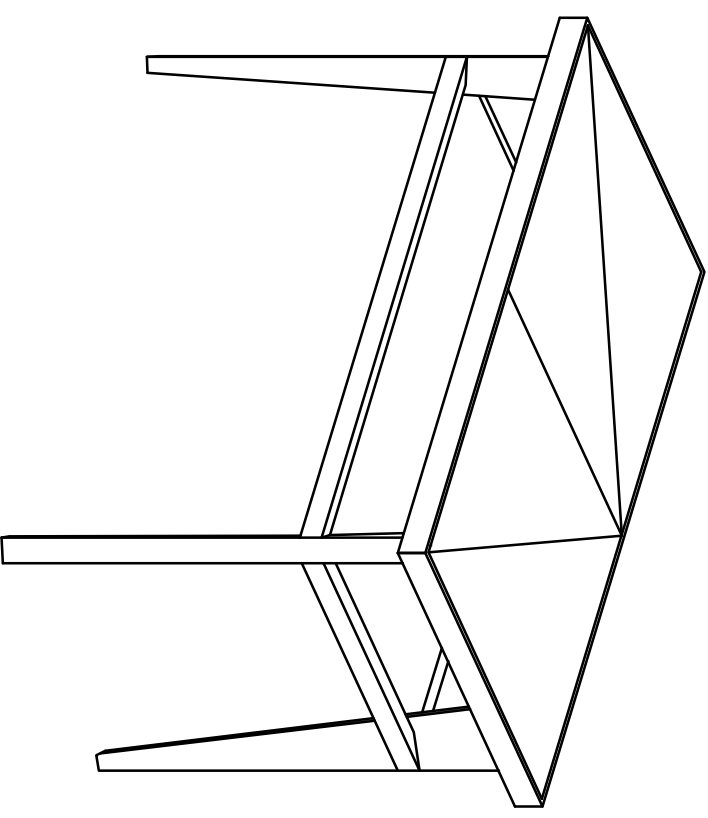
**1**

Code:TAB 570

PARQ CONSOLE



2



3

Code:TAB 570

PARQ COFFEE TABLE