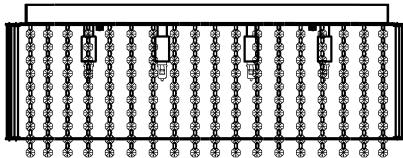


Trade Mark:  
CRYSTAL WORLD INC

Product Name: Ceiling lamp  
Model :5320C26C-S  
120Vac, 60Hz,AC ONLY  
Lamp size:L26"XW26"XH10"

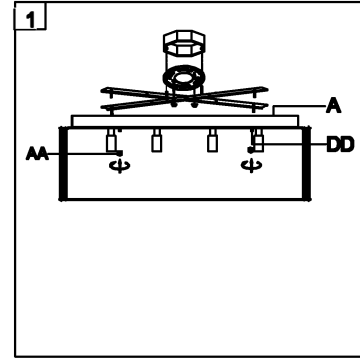


## CEILING LAMP ASSEMBLY INSTRUCTIONS

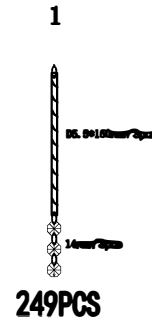
1.Place fixture(A) onto mounting screws (DD).secure with cap nuts (AA).

### Hardware Used

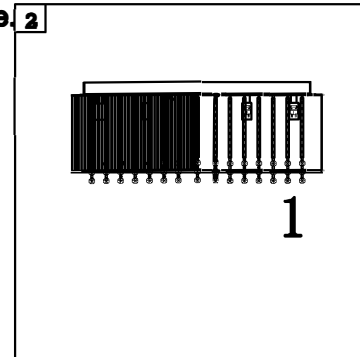
AA Cap nut  X 4  
DD Mounting screw  X 4




2.Please put the crystal (1) to the fixture.



249PCS



3. Install light bulbs ( not included).  
Use bulb  
120V G9  12\*40W Max.

