

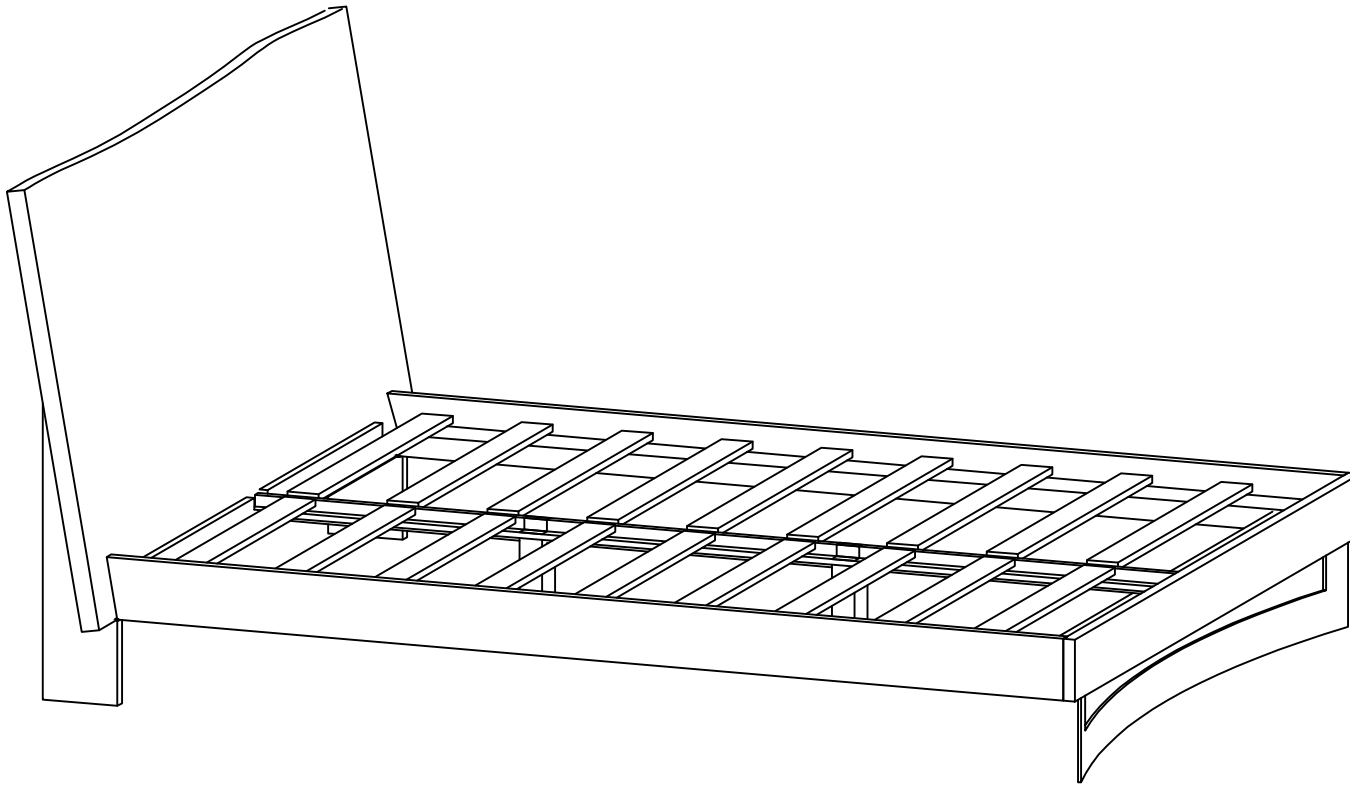
MOE'S

home collection

ASSEMBLY INSTRUCTIONS.

BENT KING BED SMOKED








VE-1088- 03









THANK YOU FOR YOUR PURCHASE!

PARTS AND HARDWARE.

PARTS LIST

NO.	DESCRIPTION	IMAGE	Q'TY
P1	Headboard Leg		2
P2	Headboard		1
P3	Sides		2
P4	Footboard		1
P5	Centre Support		1
P6	Rolling Support		2
P7	Leg		2

HARDWARES LIST

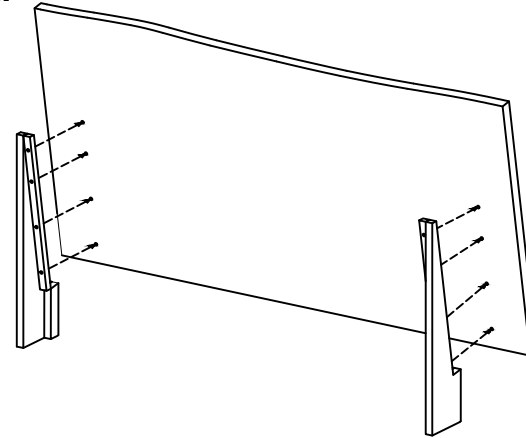
NO.	DESCRIPTION	IMAGE	Q'TY
H1	HEX BOLT (10x20 mm)		8
H2	SPANNER		2
H3	HEX BOLT (10x100 mm)		2
H4	NUT		2
H4	WASHER		10
H5	BOLT (8x40 mm)		8

NOTES.

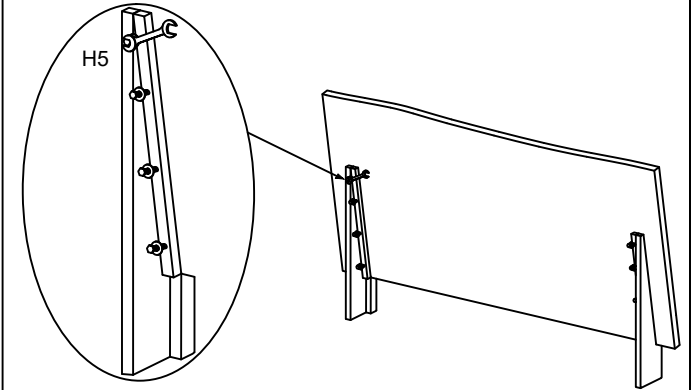
Thank you for purchasing this quality product! Be sure to check all packing material carefully for small part that may have come loose inside the carton during shipping.

CAUTION: The item is heavy, assembly should be performed by two people.

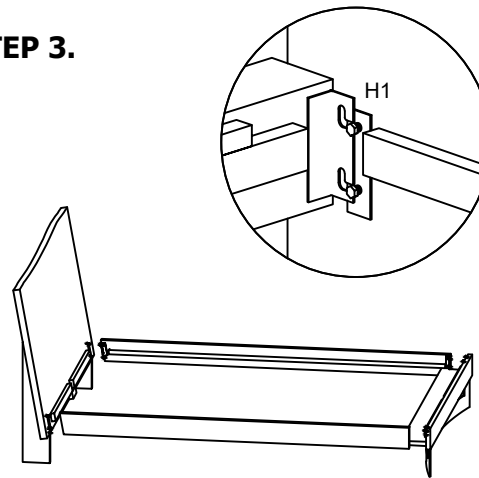
STEP 1.



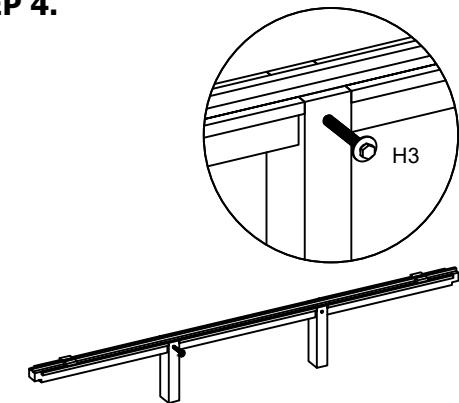
STEP 2.



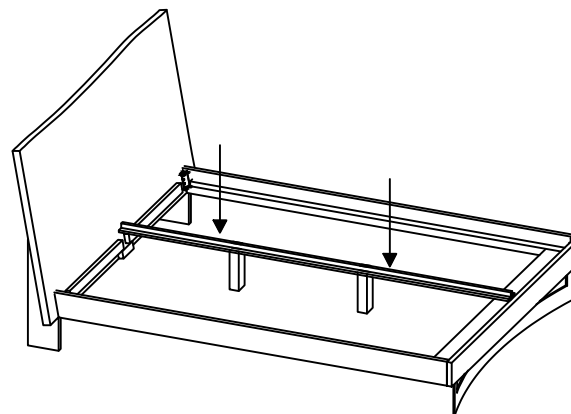
STEP 3.



STEP 4.



STEP 5.



STEP 6.

