

TEAR SHEET

Halle 18" Vanity Light

Item # S 2202PN-CG

Designer: Ian K. Fowler

Height: 18"

Width: 7.25"

Extension: 5.5"

Backplate: 4.75" x 18" Rectangle

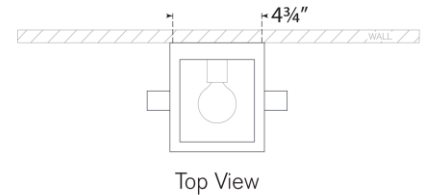
Finishes: BZ/HAB, HAB/PN, PN

Glass Options: CG

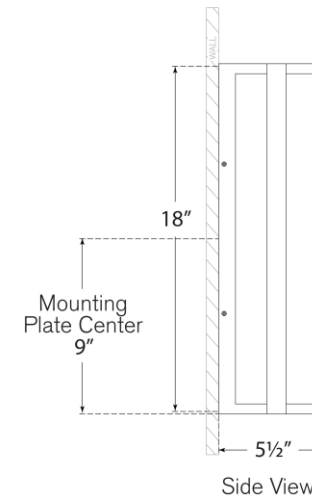
Socket: 3 - E12 Candelabra

Wattage: 3 - 5.5 LED G61.5

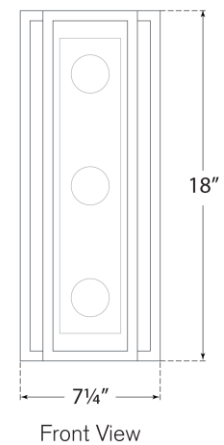
Note: UL Only



Top View



Side View



Front View