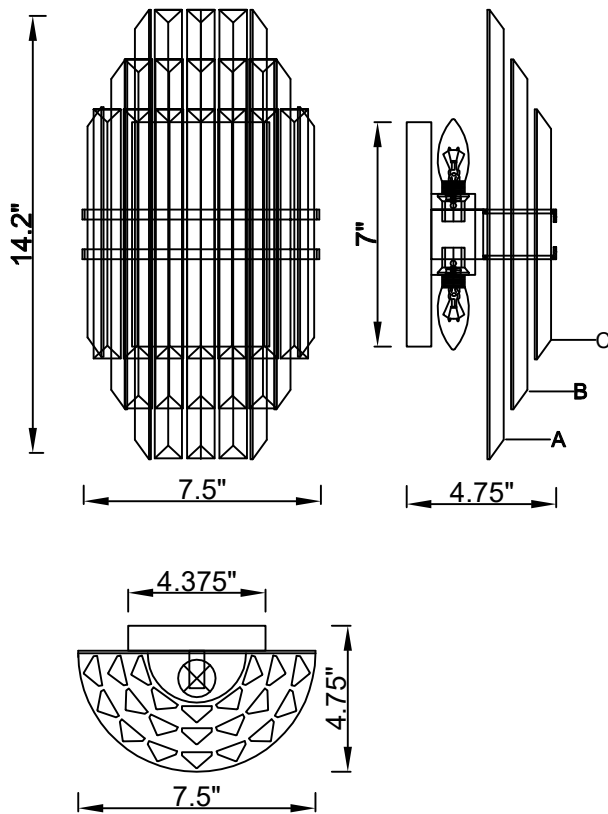


# CRYSTORAMA

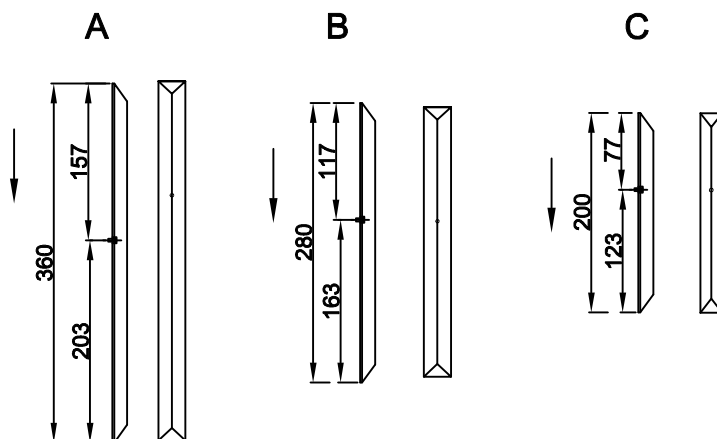


LIGHTING THE WAY FOR SIXTY YEARS

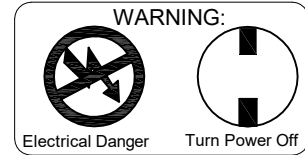
## ASSEMBLY INSTRUCTION MODEL #HAY-1402-AG



### DETAILED ILLUSTRATION



Short end above frame



All electrical components must be installed by a licensed electrician in accordance with the National Electric Code and the appropriate local electrical codes.



You will need 2-Candelabra Base Bulb  
 40 Watts Recommended 60 Watts Max  
**USE LED BULBS FOR EXTENDED USE**  
 This fixture is Dry rated

### How to Install

1. Do a complete inventory of all parts and components before you start installing.
2. After safely attaching fixture into outlet box, install bulbs (not included) and proceed to connecting the power.
3. When you begin to dress the fixture, start with crystal labeled (A).
4. **IMPORTANT:** Apply crystal sets in alphabetical order.

### Crystal Sets

- A. 5Sets. (1)22x360mm
- B. 7Sets. (1)22x280mm
- C. 9Sets. (1)22x200mm

**WARNING:** This product can expose you to Lead, which is known to the State of California to cause cancer and/or birth defects or reproductive harm. For more information go to [www.P65Warnings.ca.gov](http://www.P65Warnings.ca.gov)

# CRYSTORAMA

LIGHTING THE WAY FOR SIXTY YEARS



Crystorama.com

**PART NUMBER** MODEL #HAY-1402-AG

## Part Number

### Part Numbers

- A. (2)-Wire Connector
- B. (1)-Mounting Plate
- C. (2)-Outlet Box Screws
- D. (1)-Ground Wire
- E. (1)-Backplate; w4.375" x 7" x h0.75" (XFB1402AGBKP4.375IN)
- F. (1)-Frame
- G. (2)-Ball Nut (XFB1402AGBANUT)

