

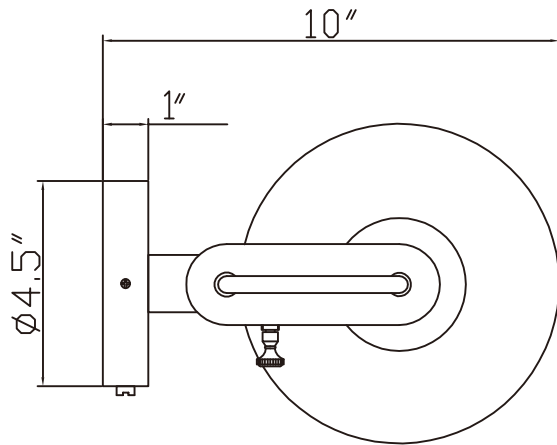
CRYSTORAMA

LIGHTING THE WAY FOR SIXTY YEARS

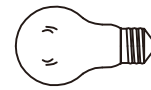


Crystorama.com

ASSEMBLY INSTRUCTION MODEL #MED-B5501-MK

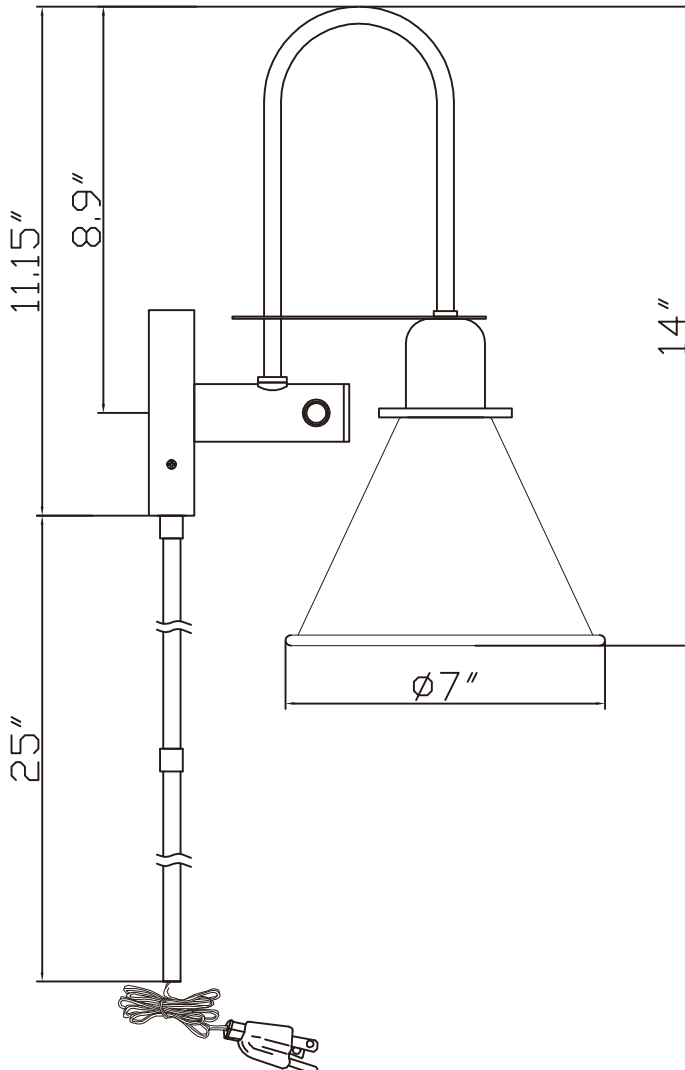


All electrical components must be installed by a licensed electrician in accordance with the National Electric Code and the appropriate local electrical codes.



You will need 3 – Med.Bulb
40 Watts Recommended 60 Watts Max

USE LED BULBS FOR EXTENDED USE
This fixture is Damp rated



How to Install

This is a convertible piece. Installation steps for both Hard-Wire and Plug-In options are below

For Hard-wired installation, please proceed as follow:

1. Remove the plug wires from the fixture wires.
2. Remove the Nut(G) from the bottom of Back Plate(B) and cover the hole with Plug(H).
3. Attach the Metal disc and Shade(E) onto Socket (D) and secure it using the Socket Ring(F).

For Plug-in installation, please proceed as follows:

1. Connect Rod(I) to the bottom of Back Plate(B).
2. Determine the desired location you'd like to put this fixture on the wall, and mark two points on it with same distance as between the holes on the Back Plate(B).
3. Drill the holes at the marked points and insert the anchors into the holes in the wall, Attach the mounting plate onto the wall using the anchor screws.
4. Attach the Back Plate(B) onto mounting plate.



WARNING: This product can expose you to Lead, which is known to the State of California to cause cancer and/or birth defects or reproductive harm. For more information go to www.P65Warnings.ca.gov

CRYSTORAMA

LIGHTING THE WAY FOR SIXTY YEARS



Crystorama.com

ASSEMBLY INSTRUCTION MODEL #MED-B5501-MK

Part Number

Part Numbers

A. Mounting hardware

(1) Mounting Plate

(2) Wire Nut

(3) Screws

B. (1) Back plate; $\varnothing 4.5 \times 1$ "h; XAR5501MKBKP4.5IN

C. (1) Lamp arm

D. (1) Socket

E. (1) Shade; $\varnothing 7 \times 5$ "h; XAR5501MKSHA7IN

F. (1) Socket Ring

G. (2) Nut

H. (1) Plug

I. (2) Rod; $\varnothing 3/8 \times 12$ "h;

J. (1) Metal disc

