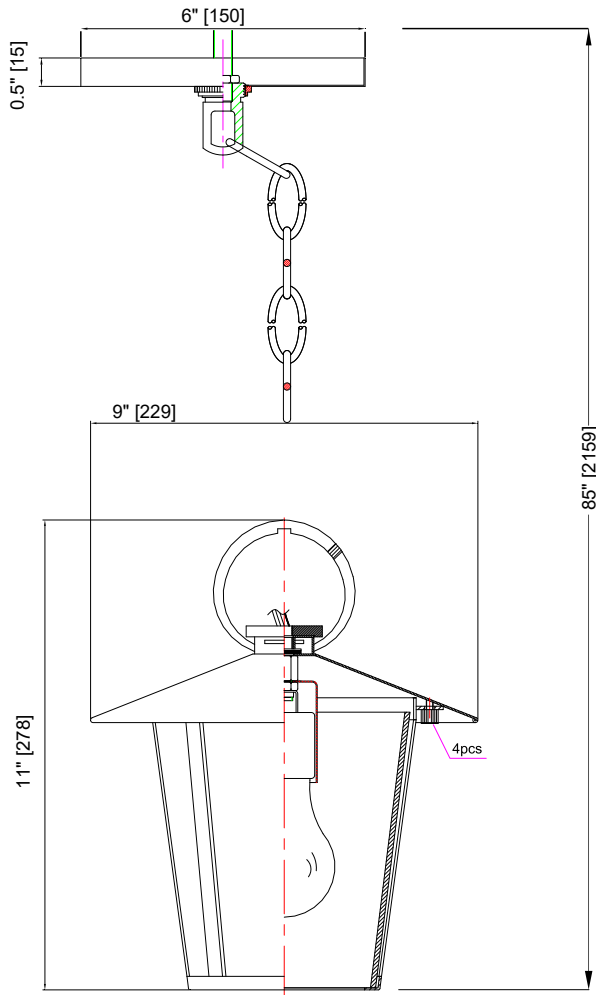
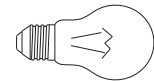




ASSEMBLY INSTRUCTION MODEL #AND-9203-CL-MK



All electrical components must be installed by a licensed electrician in accordance with the National Electric Code and the appropriate local electrical codes.



You will need 1 - Medium Bulb
60 Watts Recommended 100 Watts Max.
(Bulb not included)
USE LED BULBS FOR EXTENDED USE
THIS FIXTURE IS WET RATED

How to Install

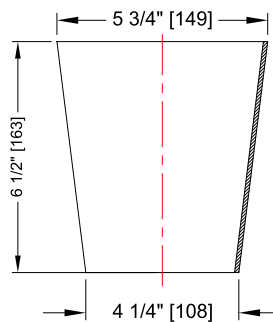
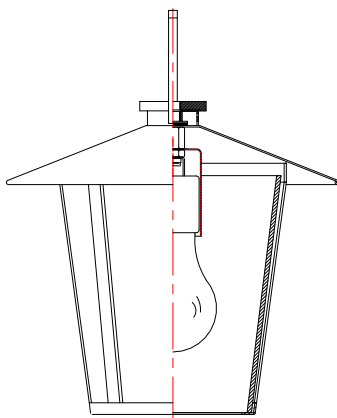
1. To install the glass shade, separate the Bottom Cage by removing the Nut.
2. Insert the Glass Shade into the Bottom Cage.
3. Install the bulb into the socket.
4. Attach the Bottom Cage to the Top Cage by screwing a Nut securing the two together.
5. Determine the preferred hanging height and adjust the chain then connect one end to the loop on the canopy and the other to the loop on the fixture

Glass Replacement:

Follow instruction steps #1-4, in reverse, skipping step #3.

Bulb Replacement (Bulb not included):

Follow instruction steps #1-4 in reverse.



WARNING: This product can expose you to Lead, which is known to the State of California to cause cancer and/or birth defects or reproductive harm. For more information go to www.P65Warnings.ca.gov.



ASSEMBLY INSTRUCTION MODEL #AND-9203-CL-MK

Part Number

Part Numbers

- A. (1)-Mounting hardware
- B. (1)-Canopy; W6" x H.5"; XHX9203MKCAN6IN
- C. (1)-Chain; 72" x 4.0mm; XHX9203MKCHA4MM
- D. (1)-Loop
- E. (1)-Top Cage
- F. (1)-Socket
- G. (1)-Glass Shade; W5.75" x H6.5"; XHX9201GLA6.5IN
- H. (4)-Nut; XHX9201MKNUT
- I. (1)-Bottom Cage

