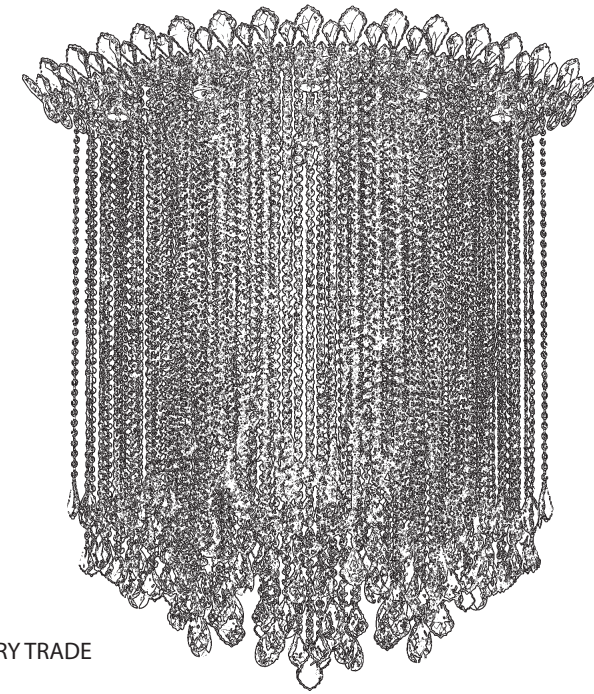




**SCHONBEK®**

**TRILLIANE STRANDS  
TR4803N- \_\_ \_\_ A**



**T**HIS DESIGN IS THE PROPRIETARY TRADE  
DRESS/TRADEMARK OF  
SWAROVSKI LIGHTING, LTD.

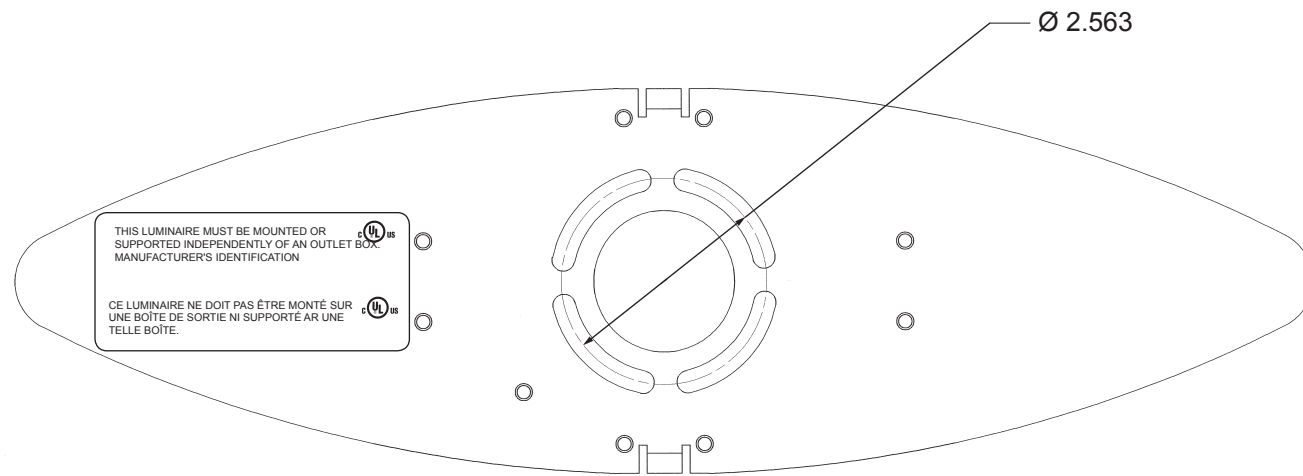
8 Lights  
Height: 48-1/2"  
Length: 45"  
Width: 25"  
Hanging Weight: 81lbs.



**SCHONBEK®**

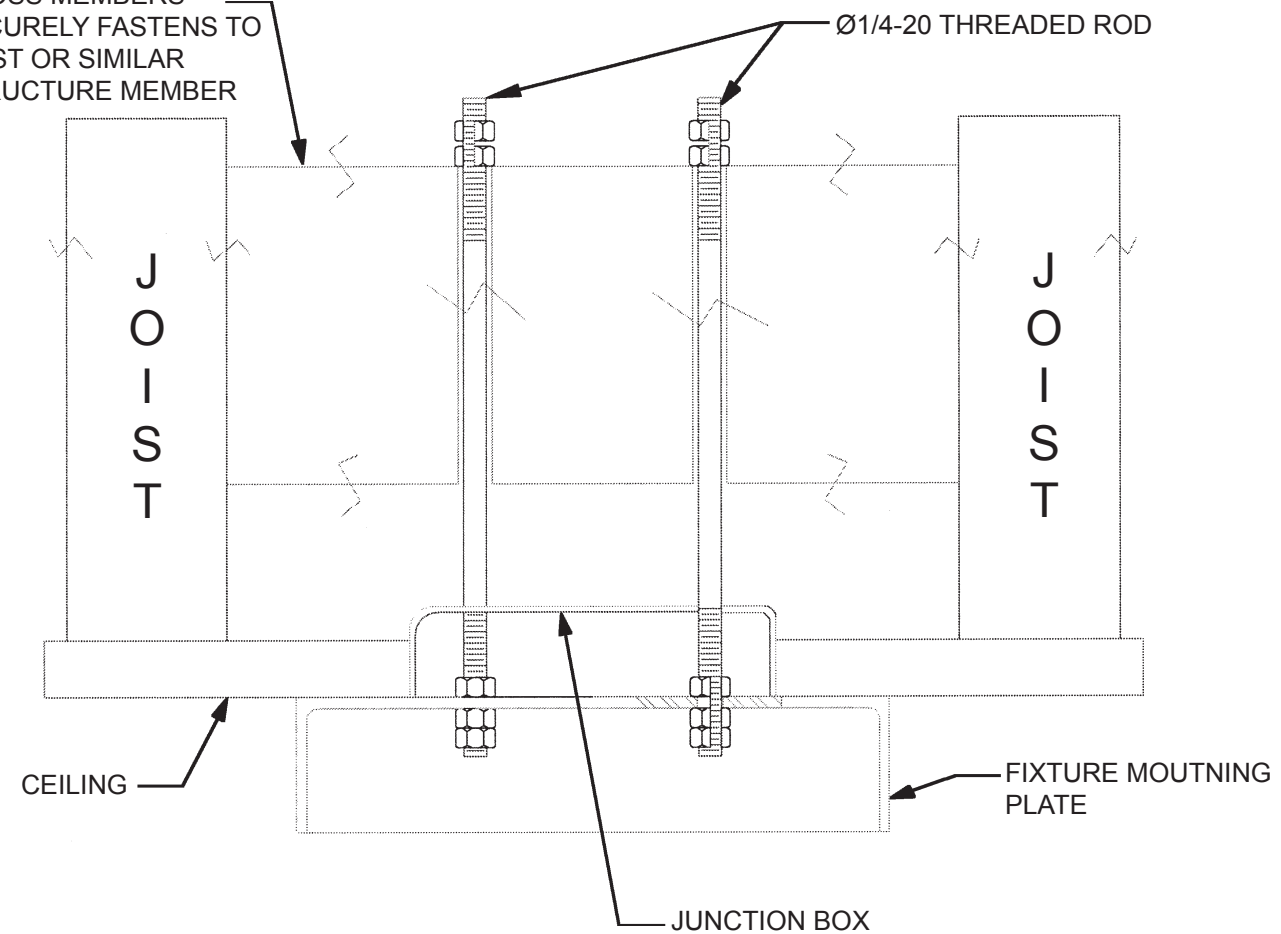
MAX <b>35</b> W		110-120 V						

**NOTE:** INSTALLER IS SOLELY RESPONSIBLE FOR PROPER MOUNTING!

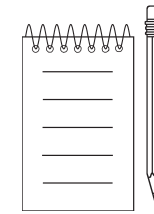


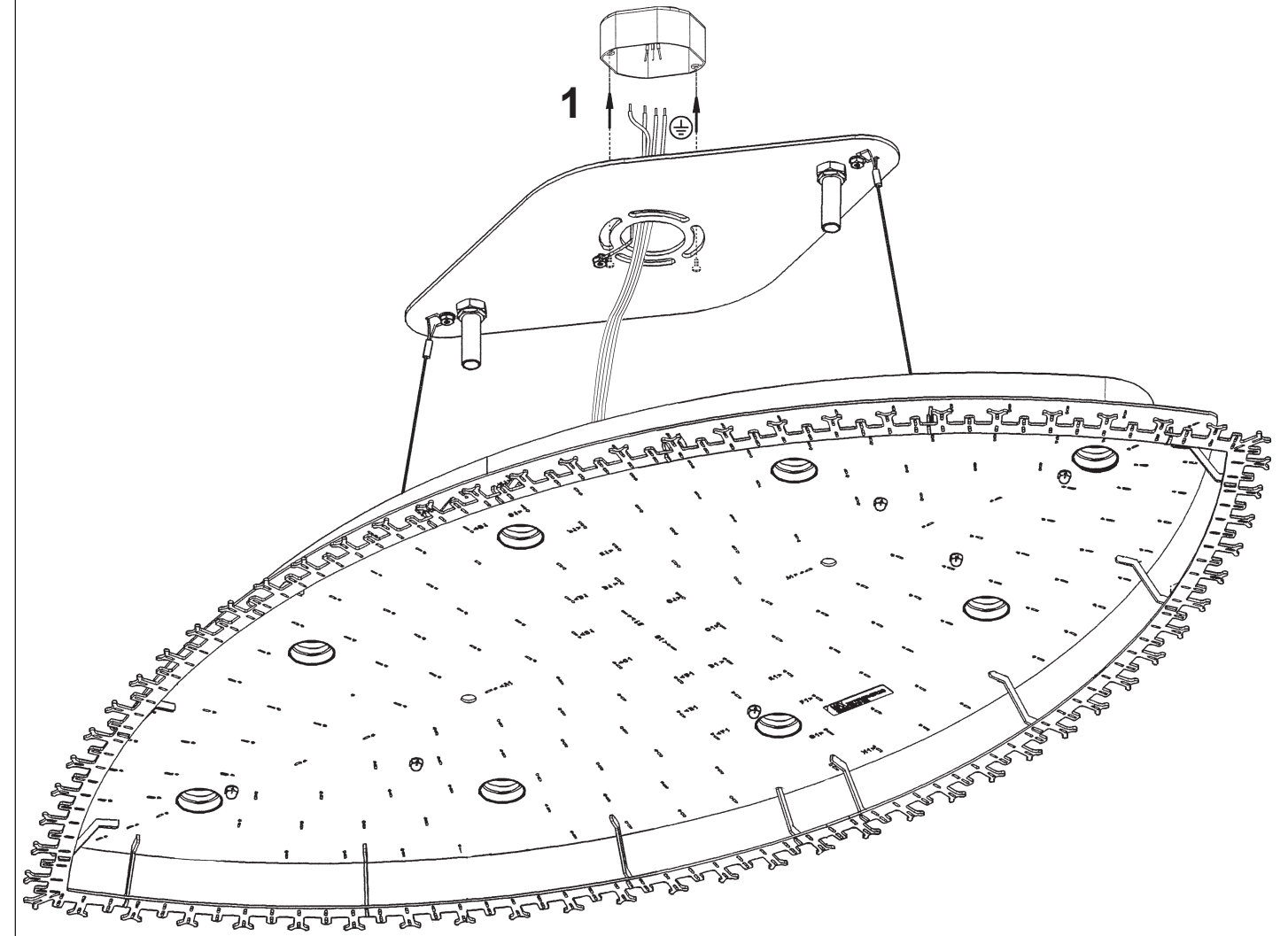
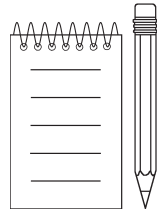
PLAN VIEW OF MOUNTING BRACKET

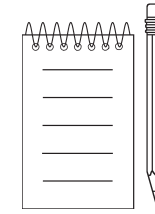
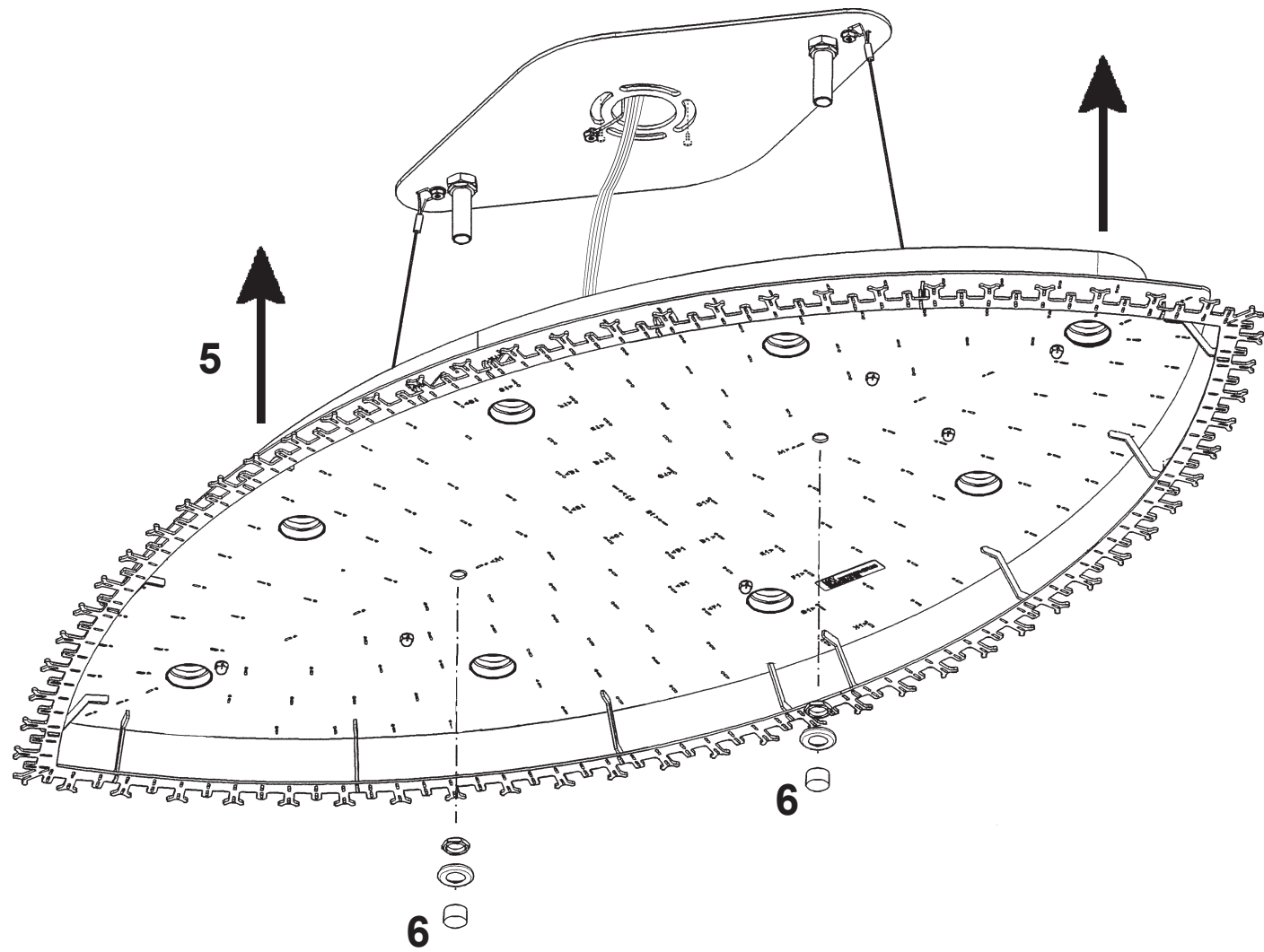
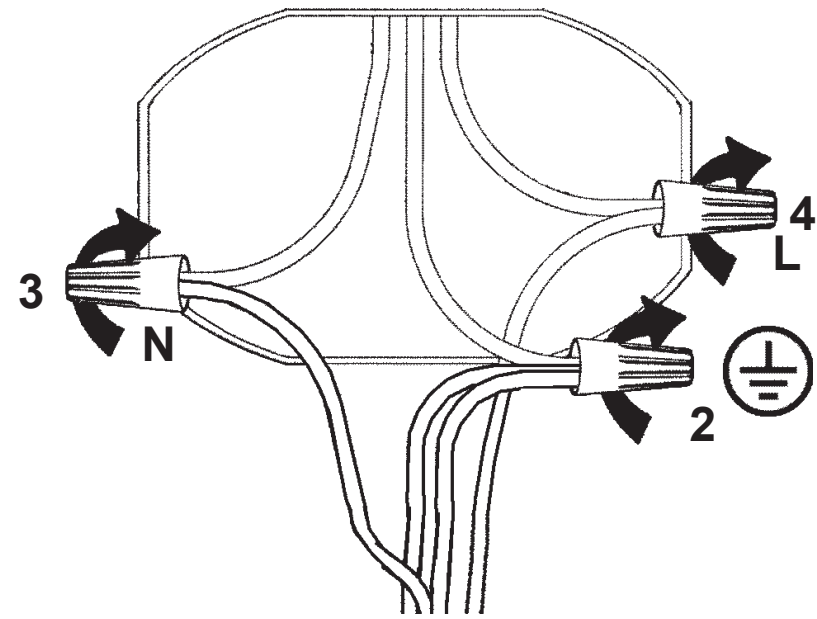
CROSS MEMBERS SECURELY FASTENS TO JOIST OR SIMILAR STRUCTURE MEMBER

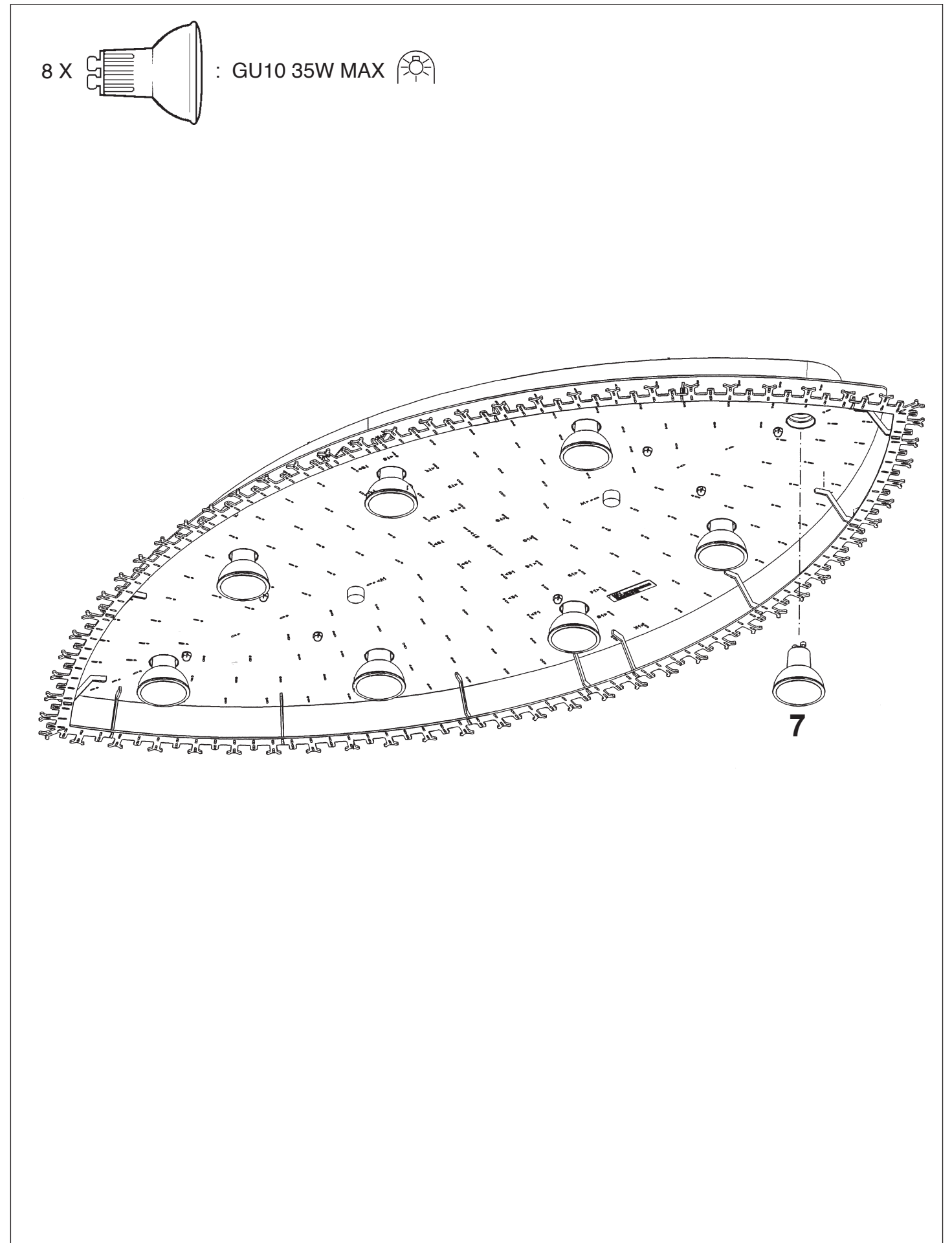
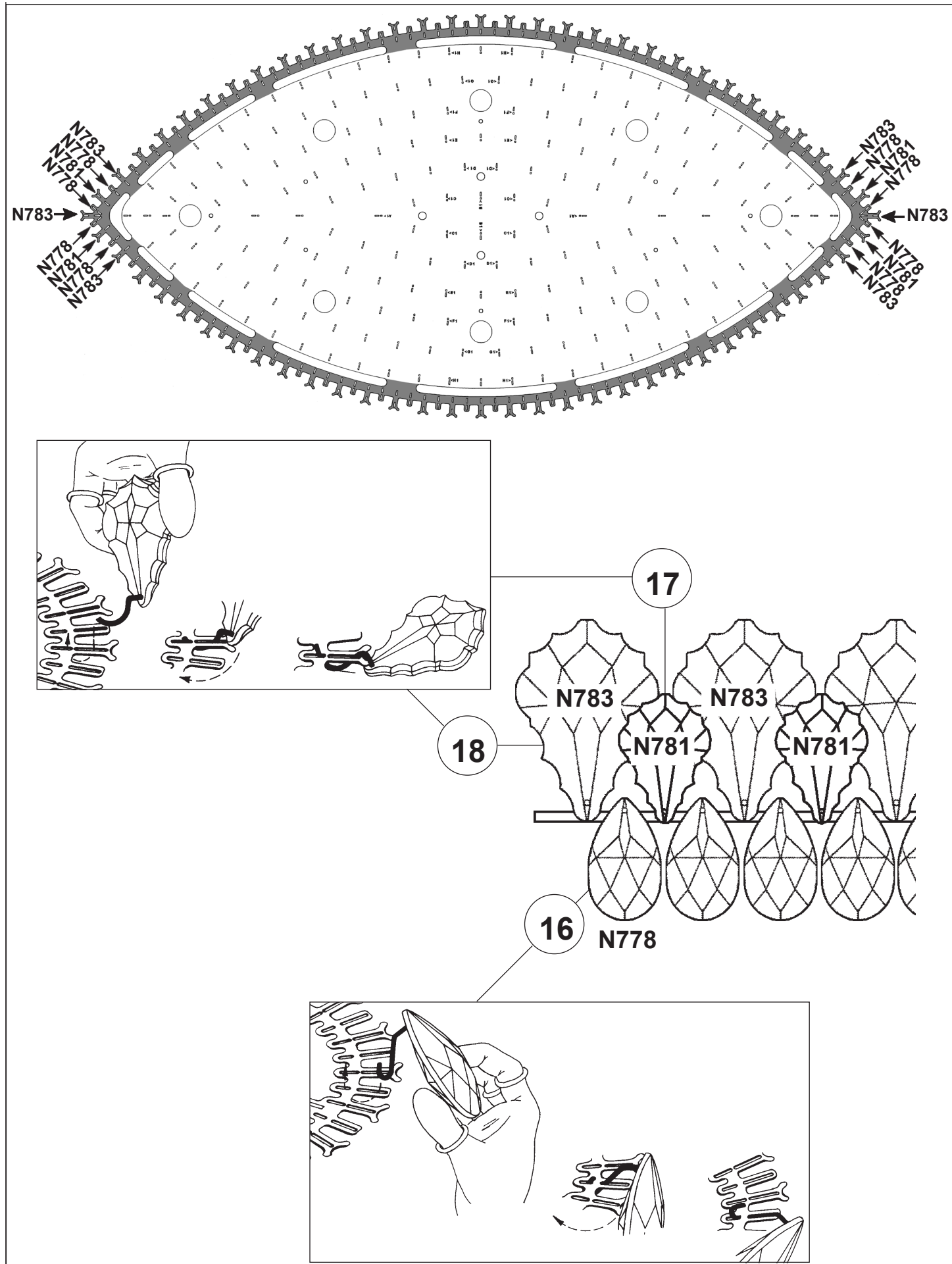


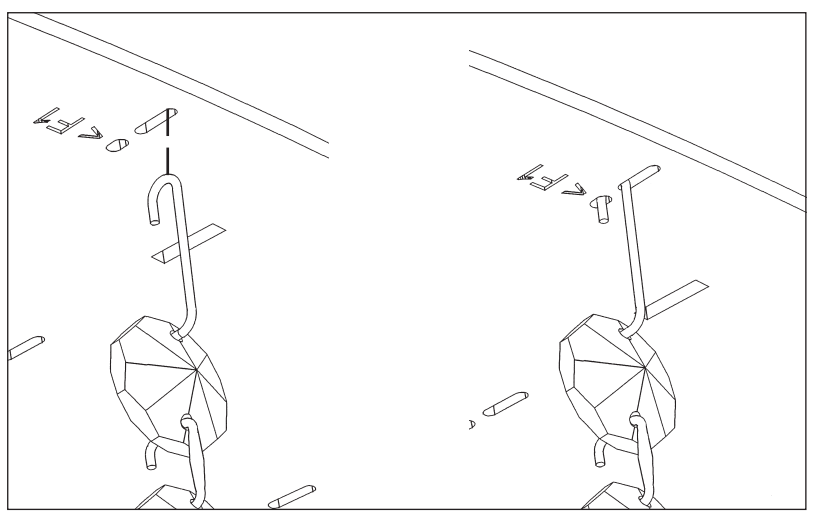
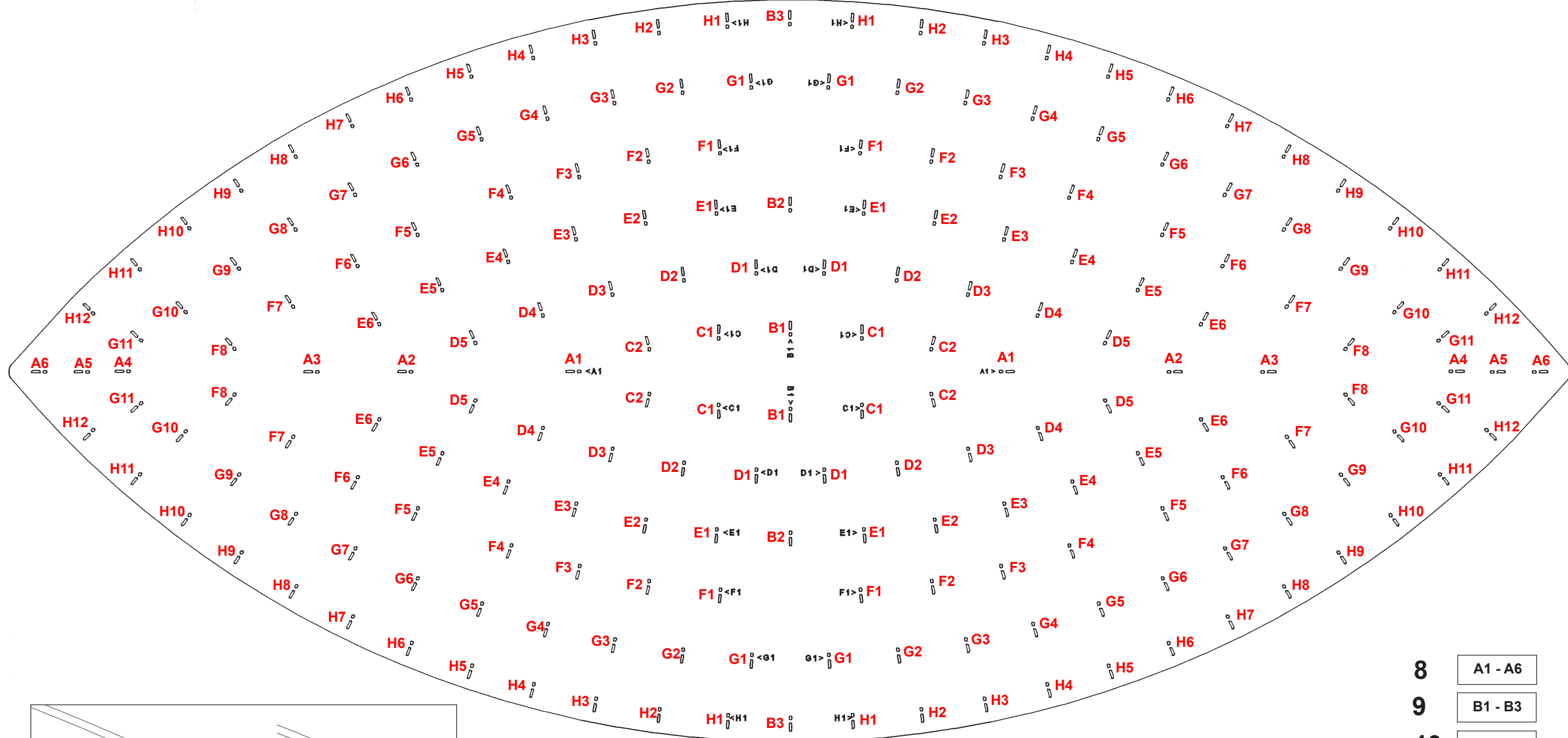
**WARNING:**  
MOUNTING CONFIGURATION AND HARDWARE MUST HOLD 4X THE WEIGHT OF THE FIXTURE. MOUNTING DESIGN AND FIXTURE INSTALLATION SHOULD BE CONDUCTED BY A QUALIFIED LICENSED PROFESSIONAL.











After hanging all trim, remove labels from crystals. If residue remains, wipe off crystal with a soft, dry cloth.

- 8 A1 - A6
- 9 B1 - B3
- 10 C1 - C2
- 11 D1 - D5
- 12 E1 - E6
- 13 F1 - F8
- 14 G1 - G11
- 15 H1 - H12