

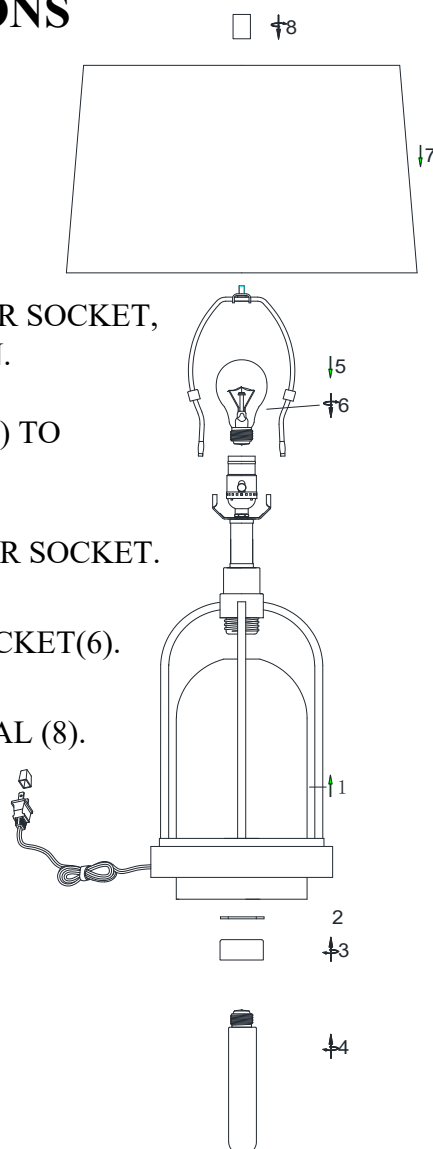
# ASSEMBLY INSTRUCTIONS

## ITEM NO: BO-2840TB

CAREFULLY UNPACK AND PLACE ALL PARTS ON A SMOOTH SURFACE.

1. ATTACH PLASTIC RING (1) GLASS (2) TO THE LOWER SOCKET, SCREW THE METAL RING (3) CLOCKWISE TO TIGHTEN.
2. INSTALL T10 BULB (4) (INCLUDED IN THIS PACKAGE) TO LOWER SOCKET.
3. PLACE HARP (5) ONTO THE BRACKET OF THE UPPER SOCKET.
4. INSTALL RECOMMENDED BULB TO THE UPPER SOCKET(6).
5. PUT ON THE SHADE (7) AND TIGHTEN IT WITH FINIAL (8).
6. INSERT THE POWER PLUG INTO AN OUTLET.

YOUR LAMP IS NOW READY TO ENJOY!!!



**Use 100W Max type A bulb (bulb not included) and 25W Max T10 bulb (bulb included)**

## IMPORTANT SAFETY INSTRUCTIONS:

THIS PORTABLE LAMP HAS A POLARIZED PLUG (ONE BLADE IS WIDER THAN THE OTHER) AS A SAFETY FEATURE TO REDUCE THE RISK OF ELECTRIC SHOCK. THIS PLUG WILL FIT IN A POLARIZED OUTLET ONLY ONE WAY. IF IT DOES NOT FIT FULLY IN THE OUTLET, REVERSE THE PLUG. IF IT STILL DOES NOT FIT, CONTACT A QUALIFIED ELECTRICIAN. NEVER USE WITH AN EXTENSION CORD UNLESS THE PLUG CAN BE FULLY AND EASILY INSERTED. DO NOT ATTEMPT TO ALTER THE PLUG.

**SAVE THESE INSTRUCTIONS FOR FUTURE REFERENCE.**