

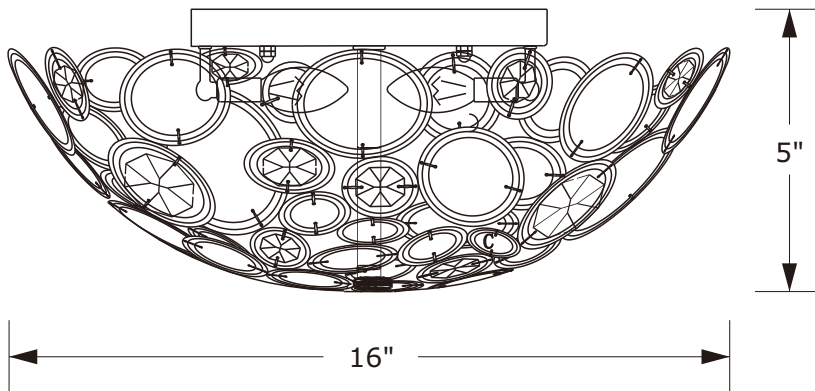
CRYSTORAMA

LIGHTING THE WAY FOR SIXTY YEARS



Crystorama.com

ASSEMBLY INSTRUCTION MODEL #524-SA



All electrical components must be installed by a licensed electrician in accordance with the National Electric Code and the appropriate local electrical codes.



You will need 3-Candelabra Base Bulb
40 Watts Recommended 60 Watts Max.
USE LED BULBS FOR EXTENDED USE
THIS FIXTURE IS DAMP RATED.

How to install

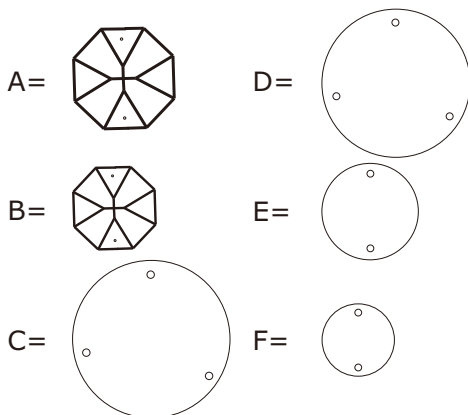
1. Remove the frame by rotating it clockwise.
2. Insert recommended bulbs (not included).
3. Put the frame back by rotating it counter clockwise.

Crystal Sets

- A. 4 Pieces
50mm
- B. 17 Pieces
40mm

Capiz Shell Sets

- C. 4 Pieces
80mm
- D. 12 Pieces
60mm
- E. 4 Pieces
40mm
- F. 16 Pieces
30mm



⚠ WARNING: This product can expose you to Lead, which is known to the State of California to cause cancer and/or birth defects or reproductive harm. For more information go to www.P65Warnings.ca.gov.

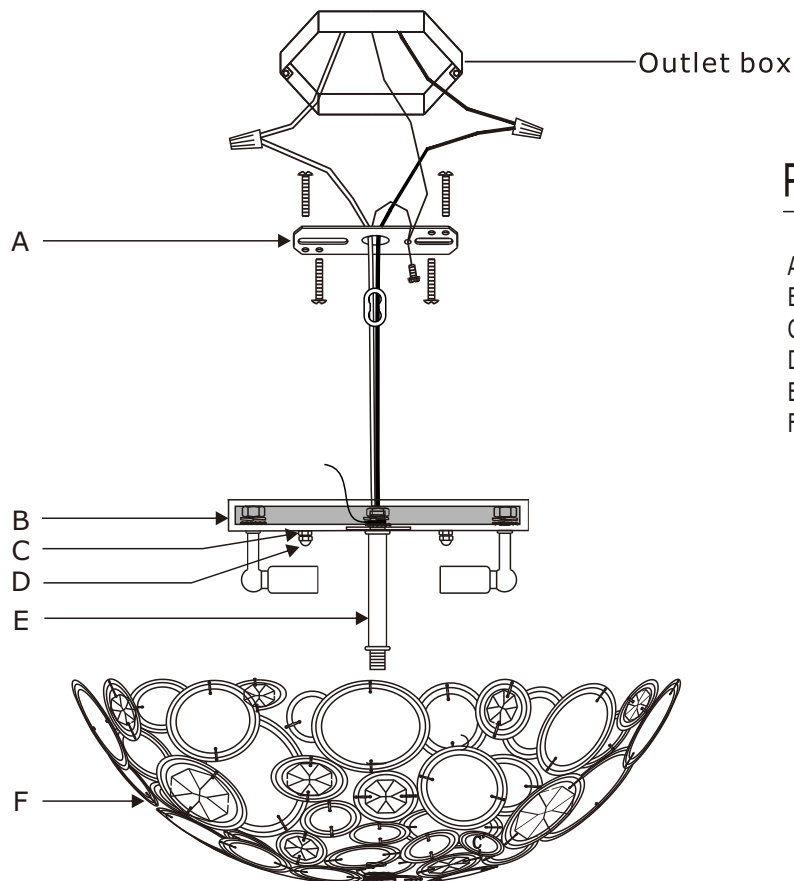
CRYSTORAMA

LIGHTING THE WAY FOR SIXTY YEARS



Crystorama.com

PART NUMBER MODEL #524-SA



Part Number

- A. (1) - Mounting Hardware
- B. (1) - Canopy(W7.87",H0.98") #XRE524SACAN7.87IN
- C. (2) - Hex Nut
- D. (2) - Ball Nut
- E. (1) - Center Stem(4.33",9.53mm) #XRE524SASTEM4.33IN
- F. (1) - Frame