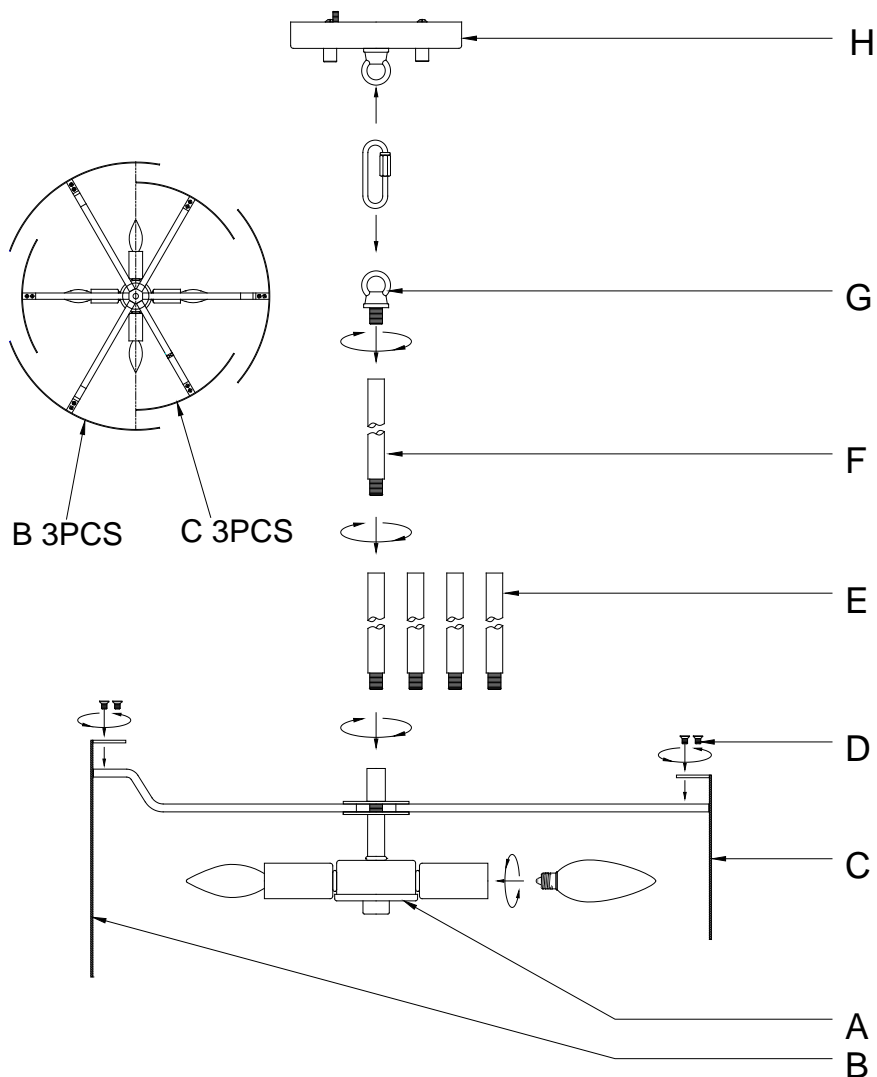


# ASSEMBLY INSTRUCTIONS

## ITEM NO.: M70117BB



C → A → D → B → E → F → G → Bulb

1. Carefully unpack and identify all parts referring to illustration for parts identification.
2. Turn the power to the installation point OFF.
3. Unravel the supply power and ground wires and pass them through the center holes of center tube (E), (F), loop (G) and canopy assembly (H).
4. Place the metal panel (C) on the socket assembly (A), securing with screws (D). Repeat the process for remaining metal panel(C), (B) as shown in the diagram, securing with screws (D).
5. Thread the bottom of center tube (E) onto the socket assembly (A). Repeat the process for remaining center tube(E), (F) as shown in the diagram, until snug.
6. Thread the loop (G) onto the top of the center tube (F).
7. Referring to the installation instruction with the product for the wiring and installation.
8. Install proper bulbs (not provided) to each socket referring to the markings and / or labels on the fixture for maximum wattage.
9. Retain power to the installation point ON and retain this sheet for future reference.