



CAL LIGHTING

3625 E. Philadelphia St. Ontario CA. 91761 • Tel: 909.947.5200 • Fax:
909.947.5673 • www.calighting.com • service@calighting.com •
Specifications subject to change without notice

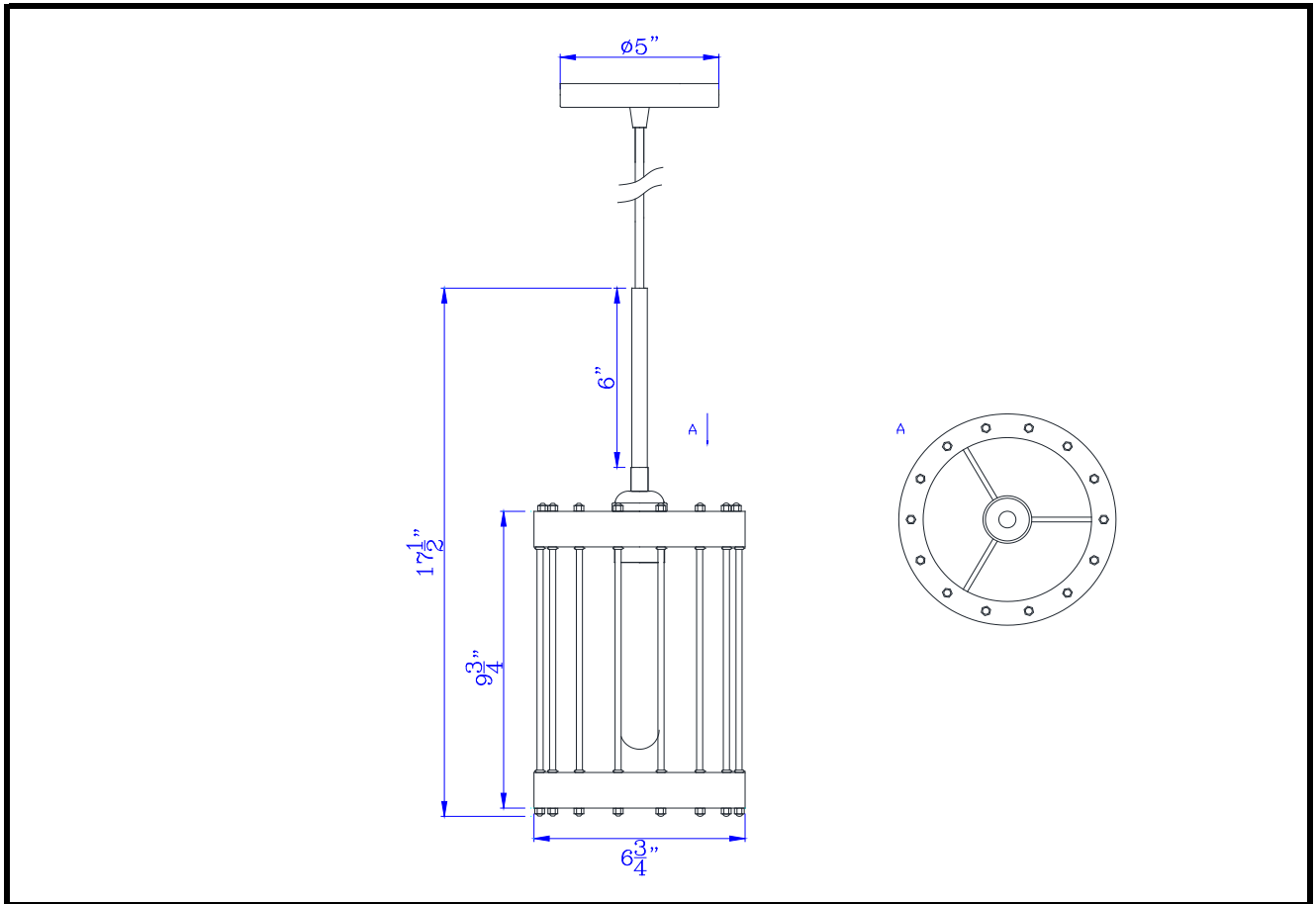
Type: _____

Project: _____

Catalog No.: _____

Lamp/Wattage: _____

Drawing:



Model No: FX-3700-1
Description: Cantania 60W metal pendant fixture (Edison bulbs not included)
Material: Metal
Finish : Metal
Height: 17 1/2"
Width: 6 3/4"
Reach: 6 3/4"
Wattage : 60W
Socket : Medium Base (E26)
Bulb: Incandescent or CFL
Chain Length:
Wire Length: 6'
Wire Color: Black
Shade No:
Material:
Shade size:
Certificate :

