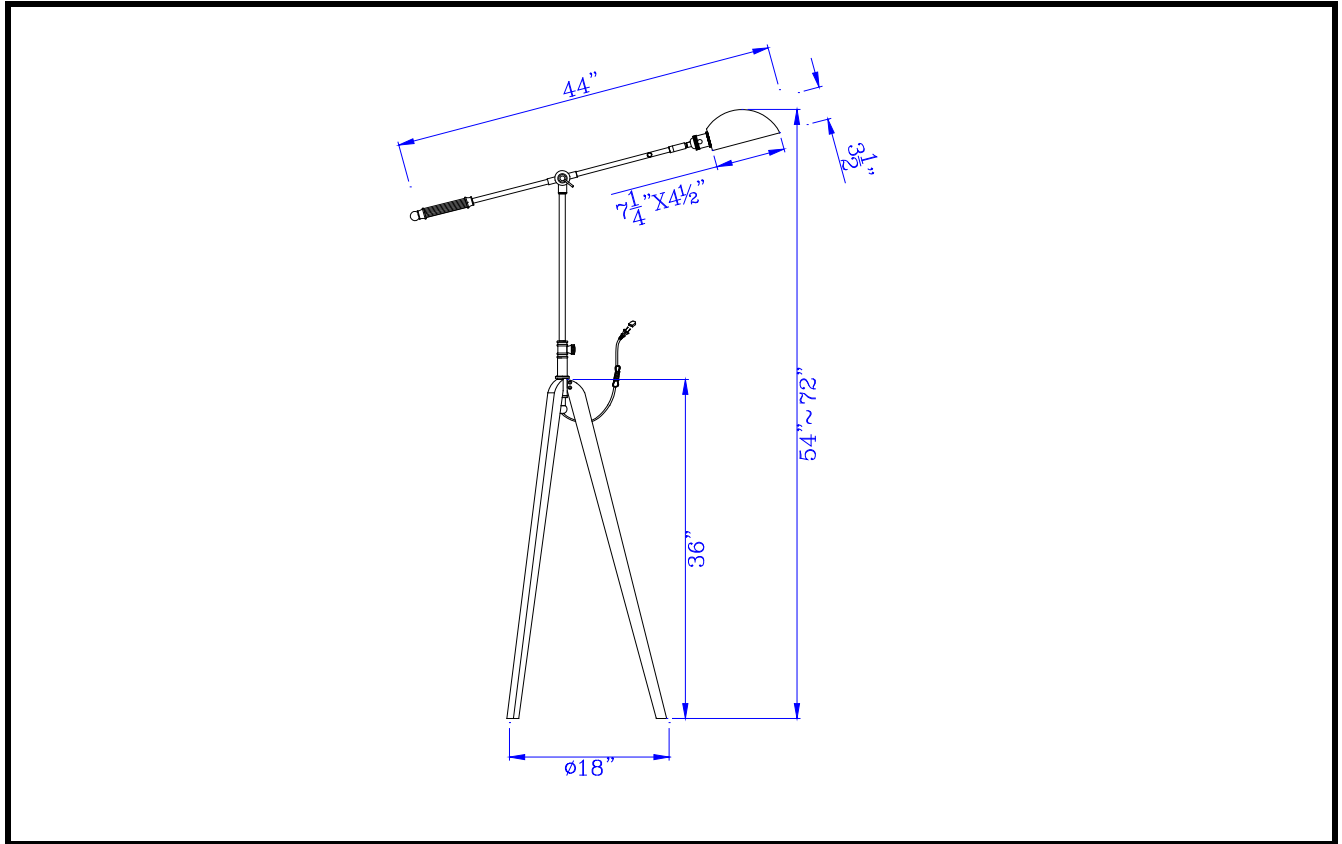




CAL LIGHTING

3625 E. Philadelphia St. Ontario CA. 91761 • Tel: 909.947.5200 • Fax:
909.947.5673 • www.calighting.com • service@calighting.com •
Specifications subject to change without notice

Type: _____
Project: _____
Catalog No.: _____
Lamp/Wattage: _____



- Model No:** BO-2831FL-AGB
- Description:** 60W on off metal tripod balanced arm floor lamp with adjustable height
- Material:** Metal
- Finish :** Antique Gold Brass
- Height:** 54"~72"
- Reach/Depth:** 44"
- Base Width:** Dia. 18"
- Wattage :** 60W
- Socket :** Medium Base (E26)
- Switch:** On/off
- Bulb:** Incandescent, CFL
- Wire Length:** 11'
- Wire Color:** Black
- Shade No:**
- Material:** Metal
- Shade size:** 4 1/2"x 7 1/4"x3 1/2"
- Certificate :** 