

INSTALLATION INSTRUCTION

24V LED Button Lights - square

HR-LED87S

WAC LIGHTING

Responsible Lighting®

CAUTION :

TO REDUCE THE RISK OF FIRE, ELECTRICAL SHOCK AND INJURIES TO PERSONS:

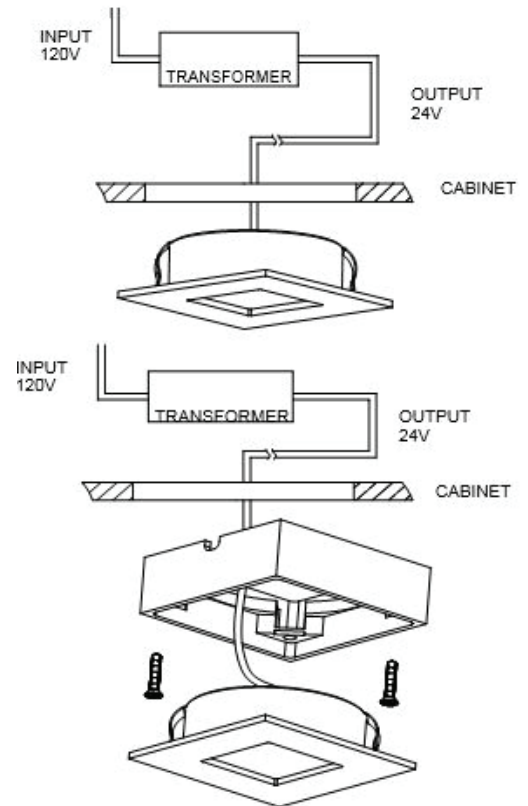
- Use only insulated staples or plastic ties to secure cords.
- Route and secure cords so they will not be pinched or damaged when cabinet is pushed to the wall.
- Not intended for recessed installation in ceilings.
- Use 24V WAC Class 2 transformer.

RECESS MOUNT

1. Cut a 2 1/8" diameter hole on the surface.
2. The decorative cover piece is not needed for recessed mounting, and may be discarded.
3. Feed the fixture wires through the hole, and connect to wires from the transformer with wire nuts provided.
4. Compress the springs on either side of the fixture and insert into the opening.

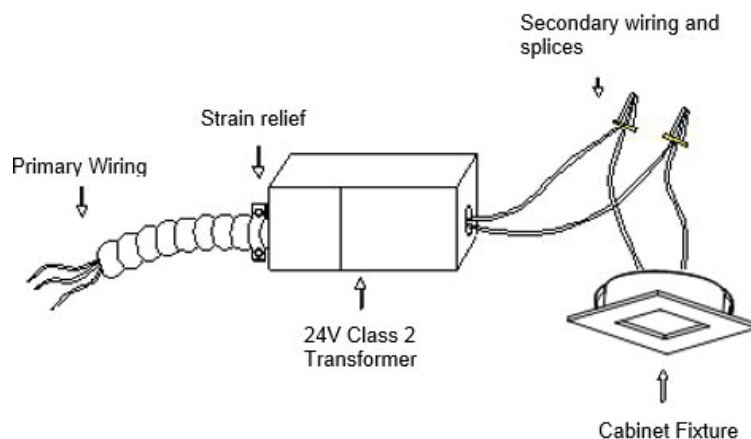
SURFACE MOUNT

1. Wires may be run behind the fixture or along a surface. Determine the most convenient location for wire passage. The "D" shaped knock out hole in the cover piece allows wire to exit and run along a surface. To wire behind the fixture, drill a hole in the surface sufficient to allow the socket wires through. Punch the knock out in the cover piece and align with the hole.
2. Screw the cover piece to the surface with screws provided.
3. Feed the fixture wires through the hole, and connect to wires from the transformer with wire nuts provided.
4. Compress the springs on either side of the fixture and insert into the back cover.



CLASS 2 WIRING:

Cabinet fixtures require 24V Class 2 transformers. Class 2 transformers are by definition "Power limited" (5 amps maximum) and "Inherently Protected" (fused). Primary wires to the transformer enclosure must follow normal NEC chapter 3 wiring techniques. Non enclosed secondary wiring and splices are not restricted in concealed spaces.



WAC Lighting
www.waclighting.com
Phone (800) 526.2588 • Fax (800) 526.2585

Headquarters/Eastern Distribution Center
44 Harbor Park Drive • Port Washington, NY 11050
Phone (516) 515.5000 • Fax (516) 515.5050

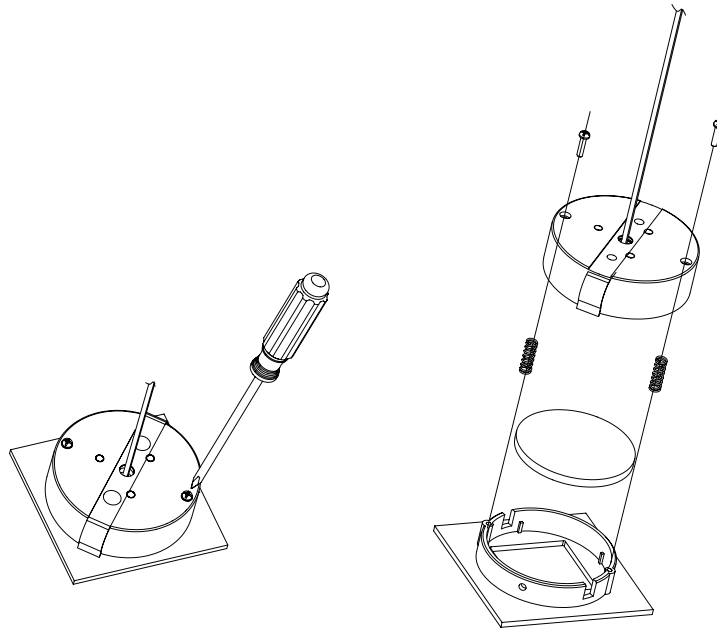
Western Distribution Center
1750 Archibald Ave • Ontario, CA 91761
Phone (800) 526.2588 • Fax (800) 526.2585

INSTALLATION INSTRUCTION
24V LED Button Lights - square
HR-LED87S

WAC LIGHTING
Responsible Lighting®

CHANGING THE FRONT LENS

1. Use a screw driver to take off the two screws on the back.
2. Separate the fixture body from the canopy.
3. Take off the springs, then use the new lens to replace the older.
4. Reverse the procedure for reassembly.



WAC Lighting
www.waclighting.com
Phone (800) 526.2588 • Fax (800) 526.2585

Headquarters/Eastern Distribution Center
44 Harbor Park Drive • Port Washington, NY 11050
Phone (516) 515.5000 • Fax (516) 515.5050

Western Distribution Center
1750 Archibald Ave • Ontario, CA 91761
Phone (800) 526.2588 • Fax (800) 526.2585