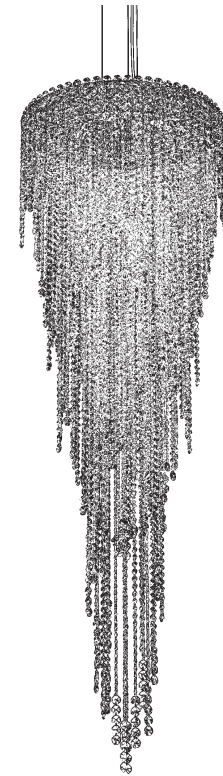




SCHONBEK®

CHANTANT
CH2413N- __ _ H



THIS DESIGN IS THE PROPRIETARY
TRADE DRESS/TRADE MARK OF
SWAROVSKI LIGHTING, LTD.

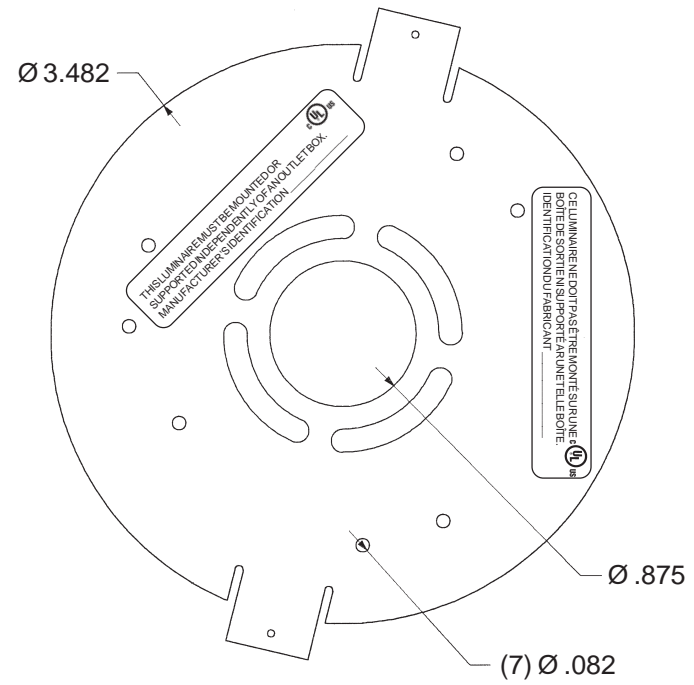
6 Lights
Diameter: 24"
Height: 79"
Hanging Weight: 56lbs.



SCHONBEK®

MAX 50 W		110-120 V					

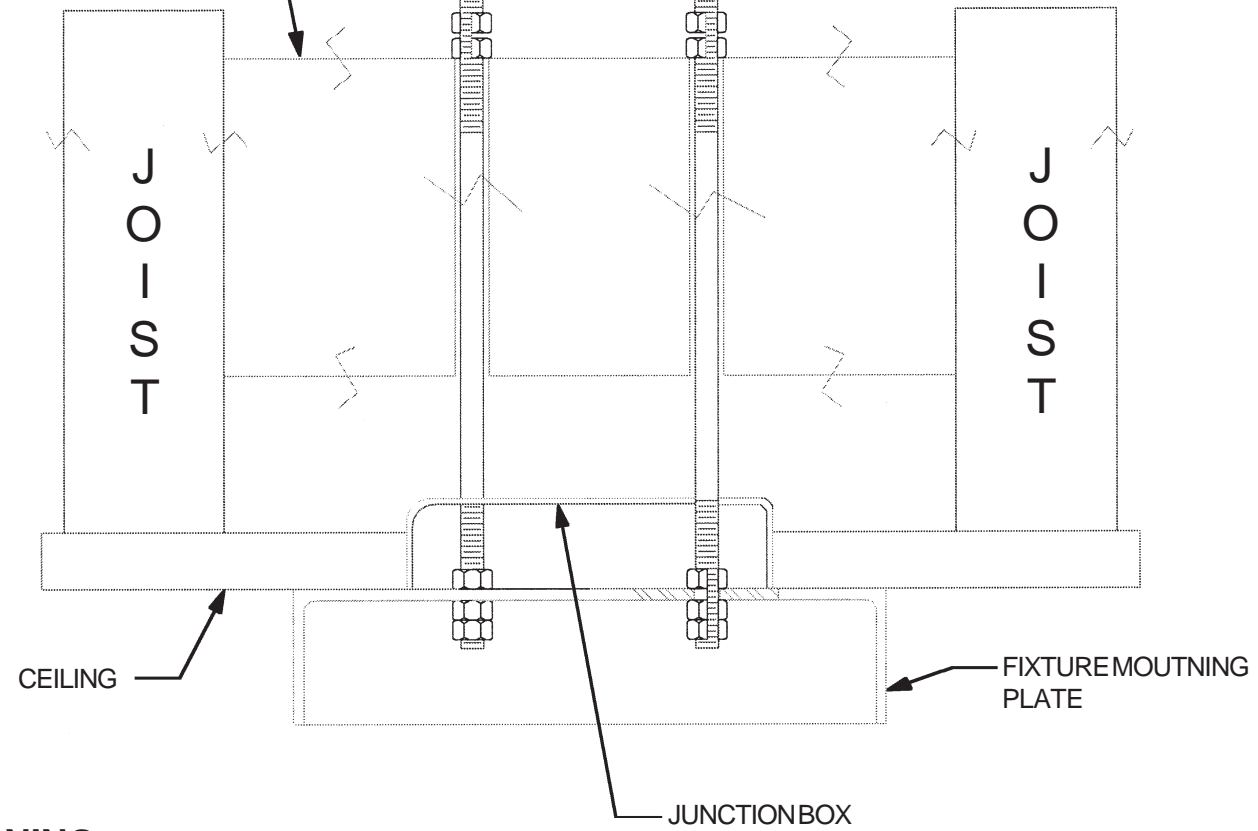
NOTE: INSTALLER IS SOLELY RESPONSIBLE FOR PROPER MOUNTING!



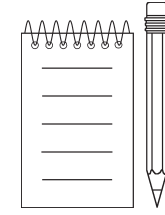
PLAN VIEW OF MOUNTING BRACKET

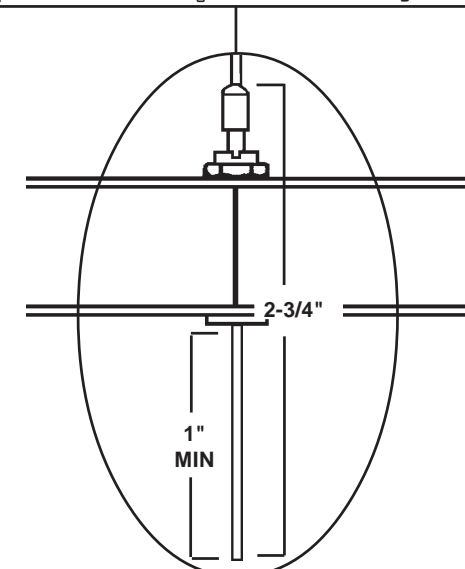
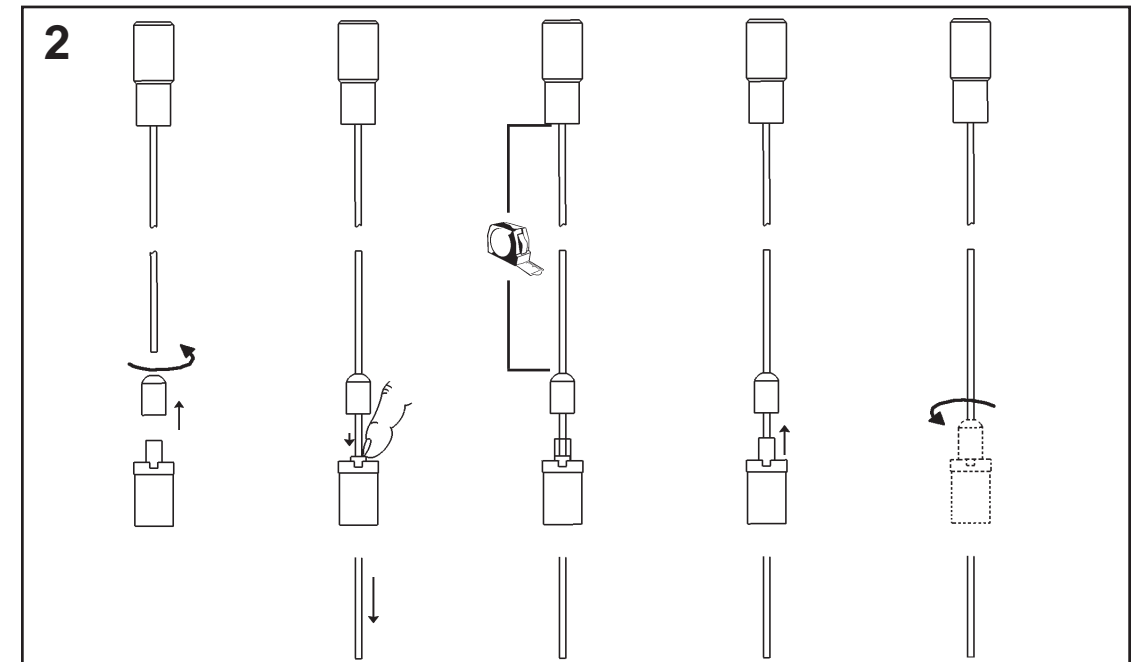
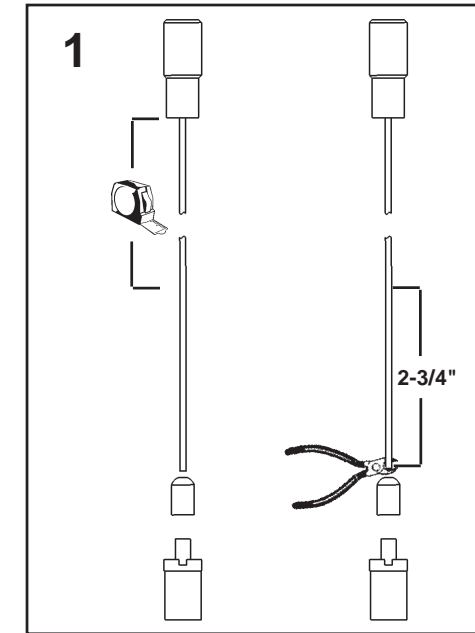
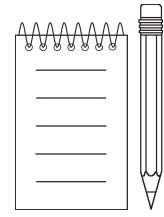
CROSS MEMBERS
SECURELY FASTEN TO
JOIST OR SIMILAR
STRUCTURE MEMBER

Ø1/4-20 THREADED ROD

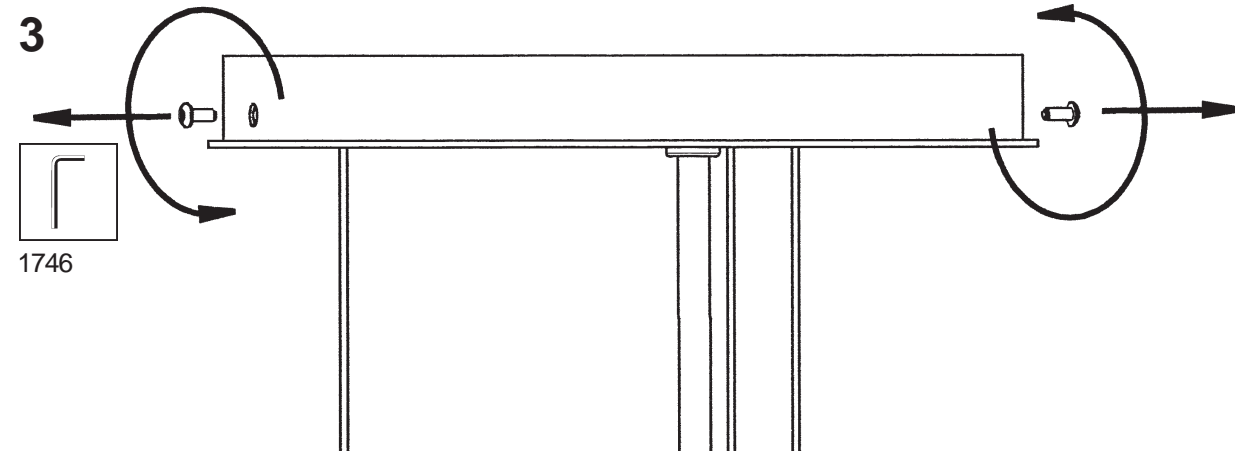


WARNING:
MOUNTING CONFIGURATION AND HARDWARE MUST HOLD 4X THE WEIGHT OF THE FIXTURE. MOUNTING DESIGN AND FIXTURE INSTALLATION SHOULD BE CONDUCTED BY A QUALIFIED LICENSED PROFESSIONAL.

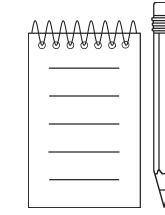
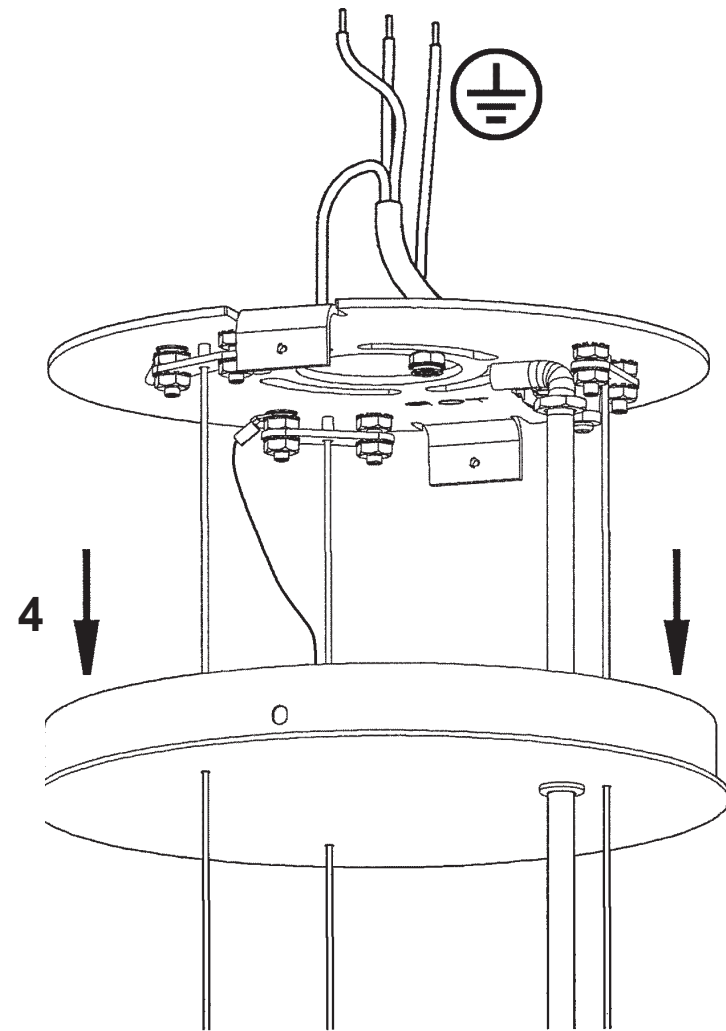


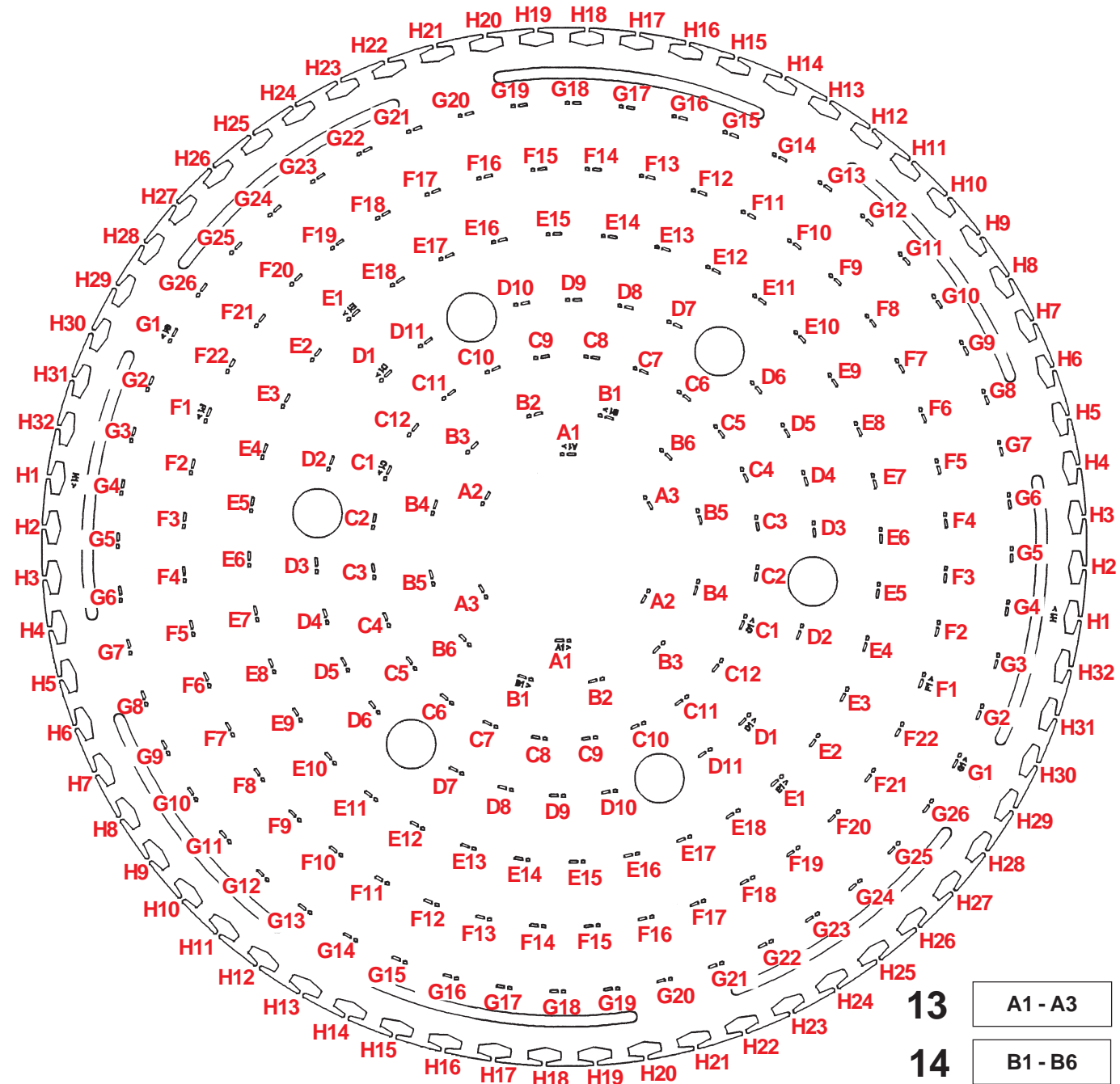


1X  : 1746

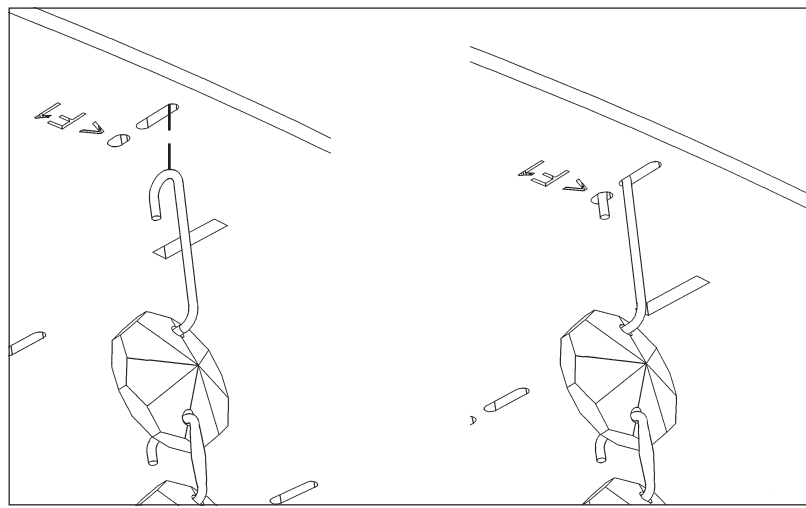



1746





- 13** A1 - A3
- 14** B1 - B6
- 15** C1 - C12
- 16** D1 - D11
- 17** E1 - E18
- 18** F1 - F22
- 19** G1 - G26
- 20** H1 - H32



After hanging all trim, remove labels from crystals. If residue remains, wipe off crystal with a soft, dry cloth.

