



CAL LIGHTING

3625 E. Philadelphia St. Ontario CA. 91761 • Tel: 909.947.5200 • Fax:
909.947.5673 • www.calighting.com • service@calighting.com •
Specifications subject to change without notice

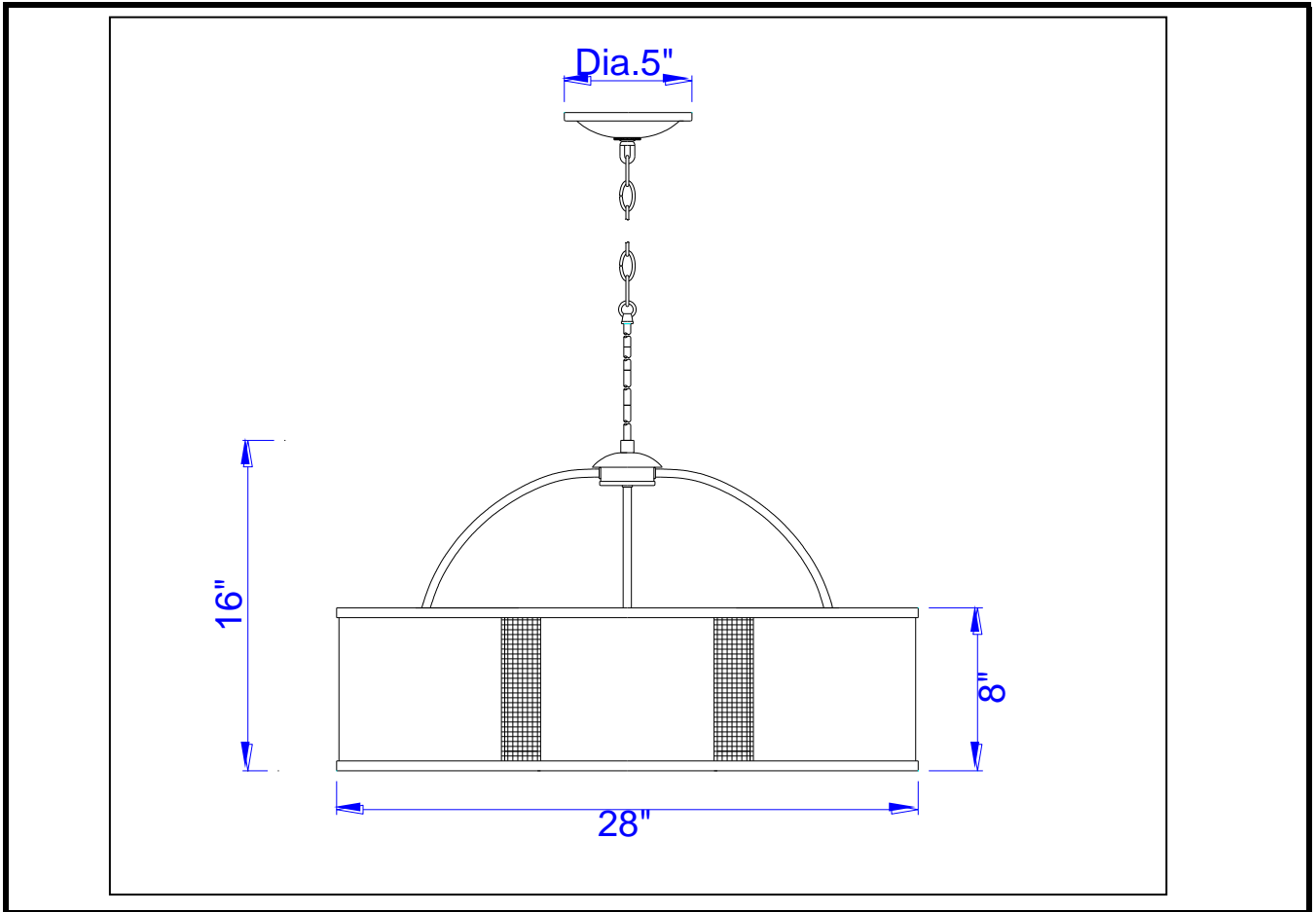
Type: _____

Project: _____

Catalog No.: _____

Lamp/Wattage: _____

Drawing:



- Model No:** FX-3555/5
- Description:** Dixon Chandelier with Mesh Linen Shade with 3" rod
- Material:** Metal
- Finish :** Bronze
- Height:** 16"
- Width:** 28"
- Wattage :** 60W x 5
- Socket :** Medium Base (E26) X 5
- Bulb:** Incandescent
- Chain Length:** 6'
- Wire Length:** 10'
- Wire Color:** Brown
- Shade No:** None
- Material:** Fabric
- Shade size:**

Certificate : 