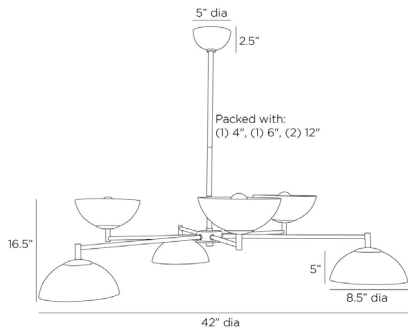


ARTERIOS

EVANSVILLE CHANDELIER



DLC23

H: 16.5 IN, Dia: 42.00 IN

Aegean

Contract Suitable As Is

Powder coated in a deep Aegean hue, a modernist style of steel adds a pop of subtle color to your space. Suspended from a slim English bronze-plated steel canopy and pipe, the colorful plates angle both upwards and downwards to create a warm, even glow.

APPEARANCE

Material	Steel
Finish	English Bronze
Top Coat/Sealant	true

DIMENSIONS

	8.50
Chandelier	H: 12 IN, Dia: 42.00 IN
Minimum Hanging Height	16.5 IN
Maximum Hanging Height	38.5 IN
Canopy	H: 2.5 IN, Dia: 5.00 IN

WIRING

Rating	Damp
Suggested Bulb Type	G16.5
Cord	10 FT, Clear/Silver, SVT
Socket	6, Type A - E26
Photographed Bulb	2" Frosted Globe Bulb
Maximum Watt	60
Voltage	110-120 V

COMPLIANCY

RoHS	true
------	------

SHIPPING

Shipping Requirements	TruckShip
Product Weight	12.6 LBS
Gross Weight 1	29 LBS
Shipping Box 1	H: 10.2 IN, L: 38.1 IN, W: 38.1 IN

REPLACEMENT PARTS

Replacement Part 1	PIPE-595
Replacement Part 1 Dim	(1) 4", (1) 6", (1) 12"
Replacement Part 2	CANOPY-693
Replacement Part 2 Dim	2.5" x 5"

CONTRACT

Contract Suitable	true
-------------------	------