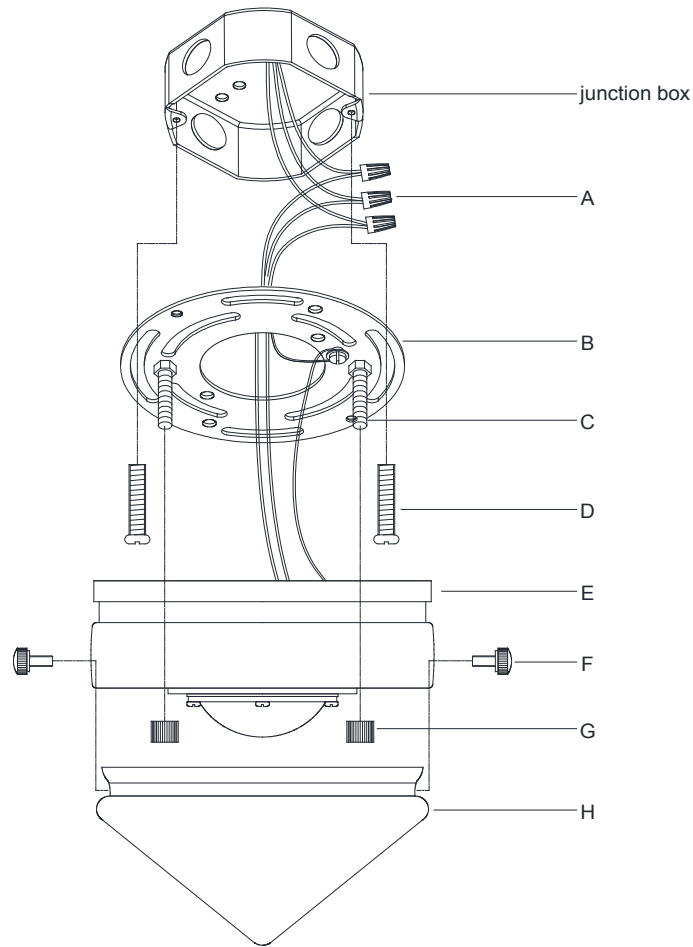


ASSEMBLY INSTRUCTIONS



Gale Petite Flush Mount

Item # TOB 4155

WE RECOMMEND INSTALLATION OF THIS LIGHTING FIXTURE BE DONE BY A LICENSED ELECTRICIAN.

WARNING*SWITCH OFF THE MAIN ELECTRICAL SUPPLY FROM THE MAIN FUSE BOX/CIRCUIT BREAKER BEFORE INSTALLATION.**

INSPECT ITEM CAREFULLY BEFORE ATTEMPTING TO INSTALL. IF THERE IS ANY DAMAGE OR OBVIOUS DEFECT. DO NOT INSTALL.

ITEM MAY NOT BE RETURNED ONCE IT HAS BEEN INSTALLED.

NOTE: CAREFULLY UNPACK EACH PIECE IN TOP LAYER OF PACKING PRIOR TO REMOVING. RETAIN ALL PACKING MATERIAL UNTIL INSPECTION AND INSTALLATION ARE FINAL.

1. Carefully remove all parts from the box.
2. Remove the mounting plate (B) from the canopy(E) by loosening cap nuts (G).
3. Affix mounting plate (B) onto the junction box and secure with mounting screws (D).
4. Connect ground wire from the fixture (bare copper) to ground wire from the junction box (usually green or copper in color) using wire nut (A).

IT IS IMPERATIVE THAT THIS FIXTURE BE GROUNDED.

5. Connect the fixture Neutral wire (WHITE) with the neutral wire (White) from the junction box using wire nut (A).
6. Connect the fixture Hot wire (BLACK) with the hot wire (Black) from the junction box using wire nut (A).

DO NOT REVERSE THE HOT AND NEUTRAL CONNECTIONS OR SAFETY WILL BE COMPROMISED.

7. Attach canopy (E) onto the mounting plate (B), let screws (C) pass through the hole on the canopy (E), then secure with cap nuts (G).
8. Attach the glass (H) to the canopy (E) and secure with thumb screws (F).
9. Installation is complete, turn on power at fuse or circuit breaker.

***Clean with a dry, soft cloth only. Use no harsh abrasives or chemical agents.