

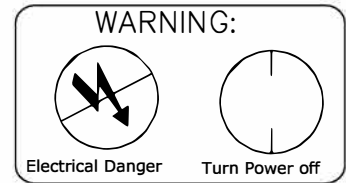
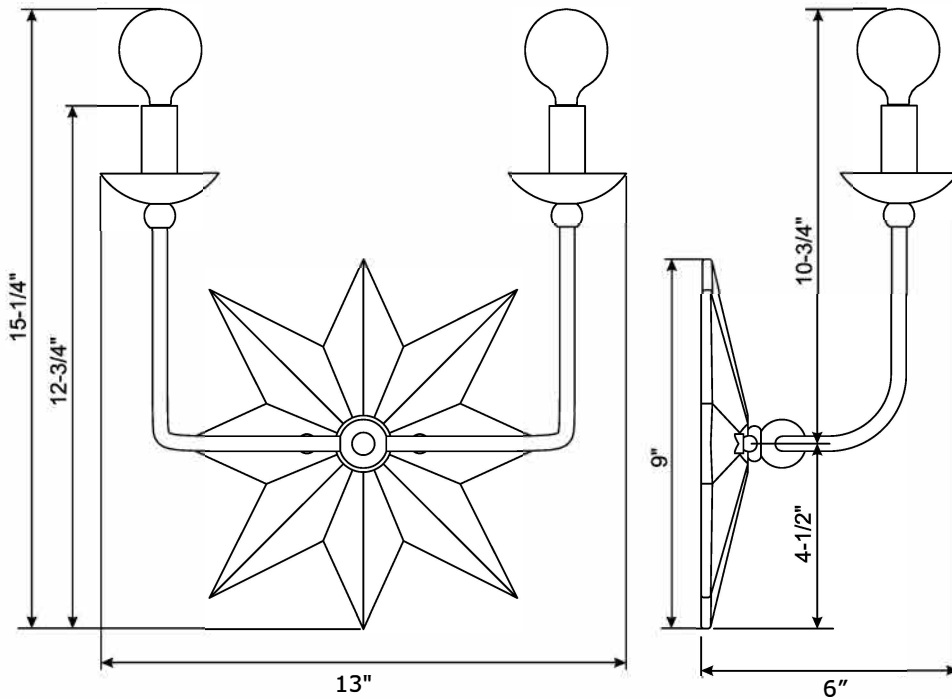
CRYSTORAMA

LIGHTING THE WAY FOR SIXTY YEARS

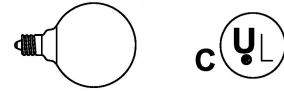


ASSEMBLY INSTRUCTION MODEL #9232-EB

Drawing (1)



All electrical components must be installed by a licensed electrician in accordance with the National Electric Code and the appropriate local electrical codes.

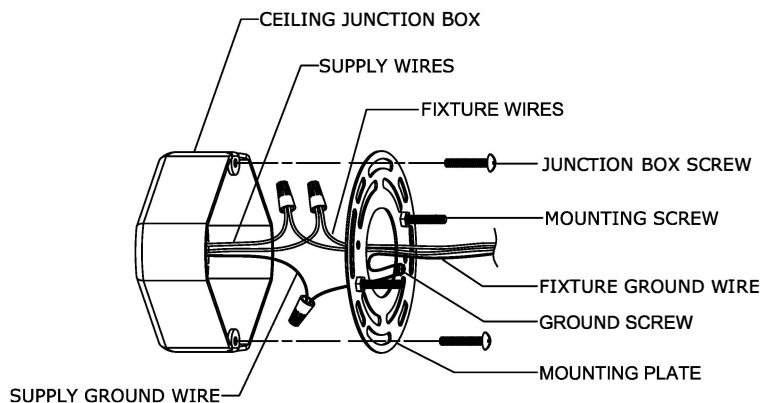


You will need 2-Candelabra FROSTED 40 Watts Recommended 60 Watts Max.
USE LED BULBS FOR EXTENDED USE
THIS FIXTURE IS DAMP RATED

Please place the fixture frame on a soft cloth covered table before the installation.

1. Install the mounting plate on the Junction box using two Junction box screws.
2. Place the Back Plate (B) onto the junction box, aligning Mounting Screw on the Mounting Plate with mounting holes on the Back Plate (B) and lock it securely with Ball Nut (C).
3. Place the Candle Sleeve (D) over the Socket, then Install the Bulb (E) into the Socket.

Drawing (2)



WARNING: This product can expose you to Lead which is known to the state of California to cause cancer and/or birth defects or reproductive harm. For more information go to www.P65Warnings.ca.gov.

CRYSTORAMA

LIGHTING THE WAY FOR SIXTY YEARS



ASSEMBLY INSTRUCTION MODEL #9232-EB

Part Number

Part Numbers

- A. (1)-Mounting hardware
- B. (1)-Back Plate W9" x H1.25" (XFW9232EBBKP9IN)
- C. (2)-Ball Nut (XFW9230EBBANUT)
- D. (2)-Candle Sleeve W0.75"x H2.3" (XFW9232EBCDL2.3IN)
- E. (2)-Bulb (Not included)

