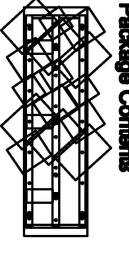


Assembly Instruction Sheet #IS-1100W18-3 For Style 1100W18-3

Tools Required: Flathead screwdriver, Phillips screwdriver, pliers, wire cutters, wire strippers, electrical tape, safety glasses.
Light Source: (3) E12 Base Bulb 60W Maximum (Not Include).
Estimated Assembly Time: 30-40 minutes
Preparation: Identify and inspect all parts before beginning installation. Check package content list and diagrams below to be sure all parts are present. If any parts are missing or damaged, do not attempt to assemble, install, or operate the fixture. Contact customer service for replacement parts.

⚠ Warnings and Cautions
 Turn off electricity at circuit breaker or main fuse box before installation. Consult a licensed electrician if in doubt.
 These instructions are provided for your safety. It is very important you read them completely before installing the fixture.
 We strongly recommend that a licensed, professional electrician perform the installation.
 Disconnect fixture from power source before replacing bulbs. Make sure bulbs are given sufficient time to cool before removal.

Package Contents



- A** Fixture Body x1
- B** Crystal 22 *12
- C** Crystal 22 *13

Hardware Contents

PART	DESCRIPTION	QUANTITY
AA	Decorative Caps	2pcs
AB	Decorative Caps	2pcs
AC	Decorative Caps	2pcs
CC	Outlet Box Screw	2pcs
DD	Mounting Screw	2pcs
EE	Mounting Screw	1pcs

STEP 1 - Attach Mounting Screws, Lock Washers and Hex Nuts to Crossbar
 A. Line up a set of holes on the Mounting bracket (EE) and holes on the wall canopy. Thread Mounting Screws (DD) into the holes on the Mounting bracket (EE). Pass Lock Washers and thread Hex Nuts onto the Mounting Screws (DD). Hand tighten until snug.

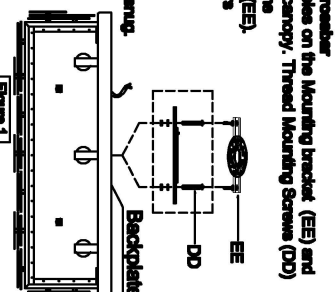


Figure 1

STEP 2 - Attach Crossbar to Outlet Box
 A. Pass the supply wires through the Mounting bracket (EE). Attach the Mounting bracket (EE) to the Outlet Box (CC) with the head of the Green Ground Screw facing you. Secure it with Outlet Box Screws (not included). Tighten until snug.

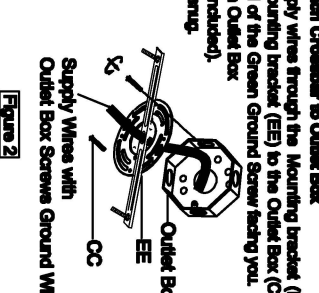


Figure 2

STEP 3 - Fit Wall Canopy to Crossbar Assembly
 A. Fit the ceiling canopy to Mounting Screws (DD) and secure with Decorative Caps (AA). Note: The wall canopy should be snug against the wall and the Decorative Caps (AA). If not, adjust the length of the Mounting Screws (DD) by unscrewing the Hex Nut and Lock Washer and then screwing Mounting Screws (DD) in or out of the Mounting bracket (EE) until the correct length is achieved. Once the wall canopy is secure, remove the Decorative Caps (AA) and wall canopy and proceed to Step 4.

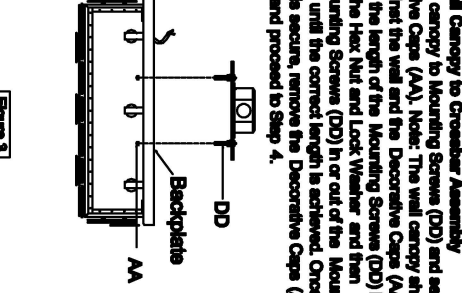


Figure 3

STEP 4 - Wire Connections
 A. Use standard wire connectors to make all wire connections. Twist connectors until wires are tightly joined together. Wrap each connection with approved electrical tape and carefully stuff all the connected wires into the Outlet Box.

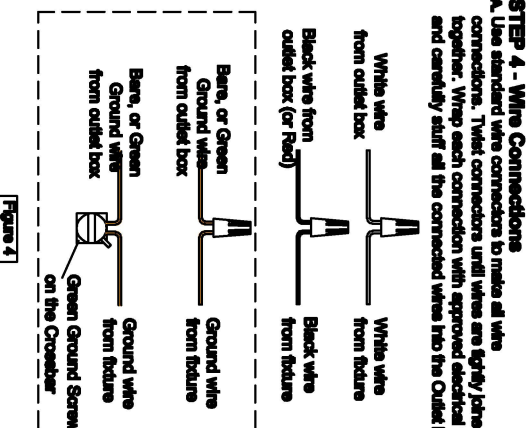


Figure 4

STEP 5 - Install Backplate to wall
 A. Carefully tuck all wires into the outlet box and position the wall canopy of the Fixture Body (A) over the outlet box. Align the holes in the wall canopy with the Mounting Screws (DD). Secure with Decorative Caps (AA) and hand tighten until snug.

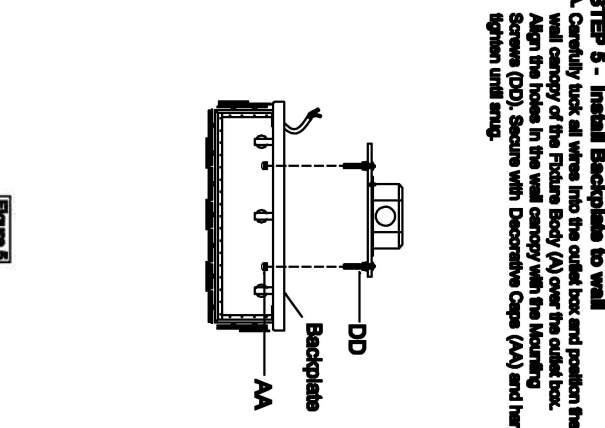
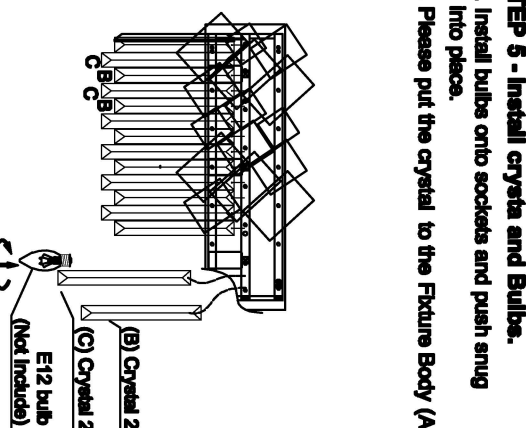


Figure 5

STEP 5 - Install crystals and Bulbs.
 A. Install bulbs onto sockets and push snug into place.
 B. Please put the crystal to the Fixture Body (A).



Hardware Contents

- A** Fixture Body x1
- B** Crystal 22 *12
- C** Crystal 22 *13

Figure 6