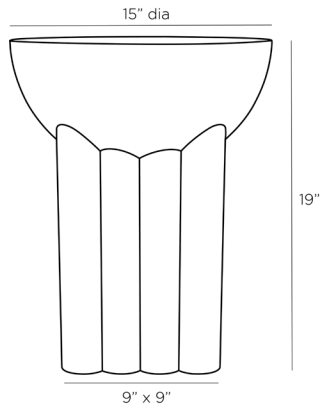


# ARTERIOS

## SANTOS ACCENT TABLE



5788  
H: 19 IN, Dia: 15.00 IN  
Black  
Contract Suitable As Is

Our Santos accent table features a bowl-shaped top on a reeded pedestal reminiscent of a fluted Roman column. The clever concrete accent piece bestows a stylish edge to any space

### APPEARANCE

Material	Concrete
Finish	Black
Top Coat/Sealant	false

### DIMENSIONS

Foot Print	W: 9 IN, D: 9 IN
Diagonal Dimension	24.5 IN

### SHIPPING

Product Weight	40.5 LBS
Gross Weight 1	48 LBS
Shipping Box 1	H: 21 IN, L: 17 IN, W: 17 IN

### ADDITIONAL INFO

Leg Or Foot Application	Glides
-------------------------	--------

### CONTRACT

Contract Suitable	true
-------------------	------